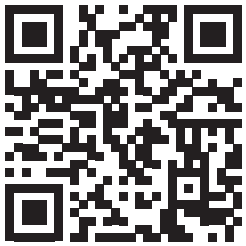
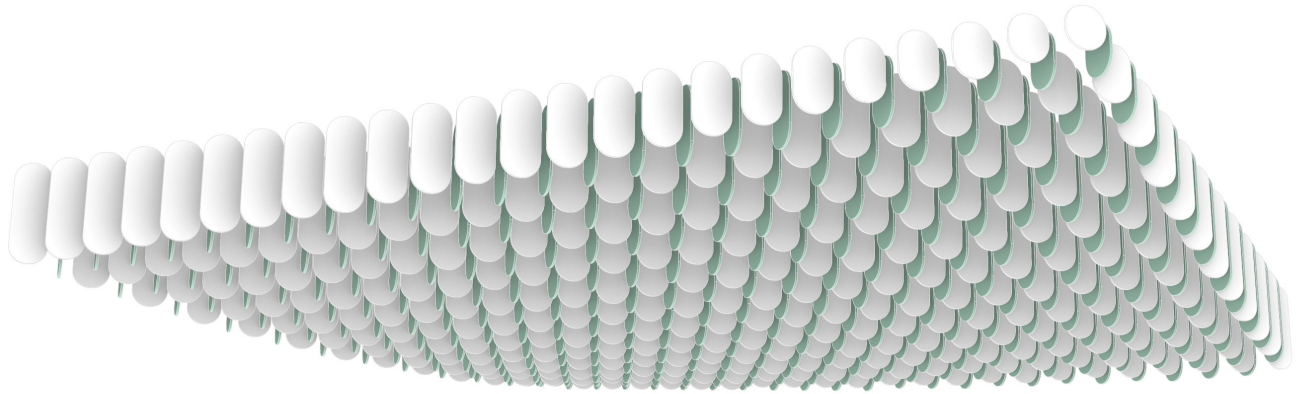


IMPACT ACOUSTIC®



# **FLOCK Bespoke**

## Ceiling System

719.12.10.000.00  
719.12.11.000.00  
719.12.12.000.00  
719.12.13.000.00  
719.12.14.000.00  
719.12.15.000.00

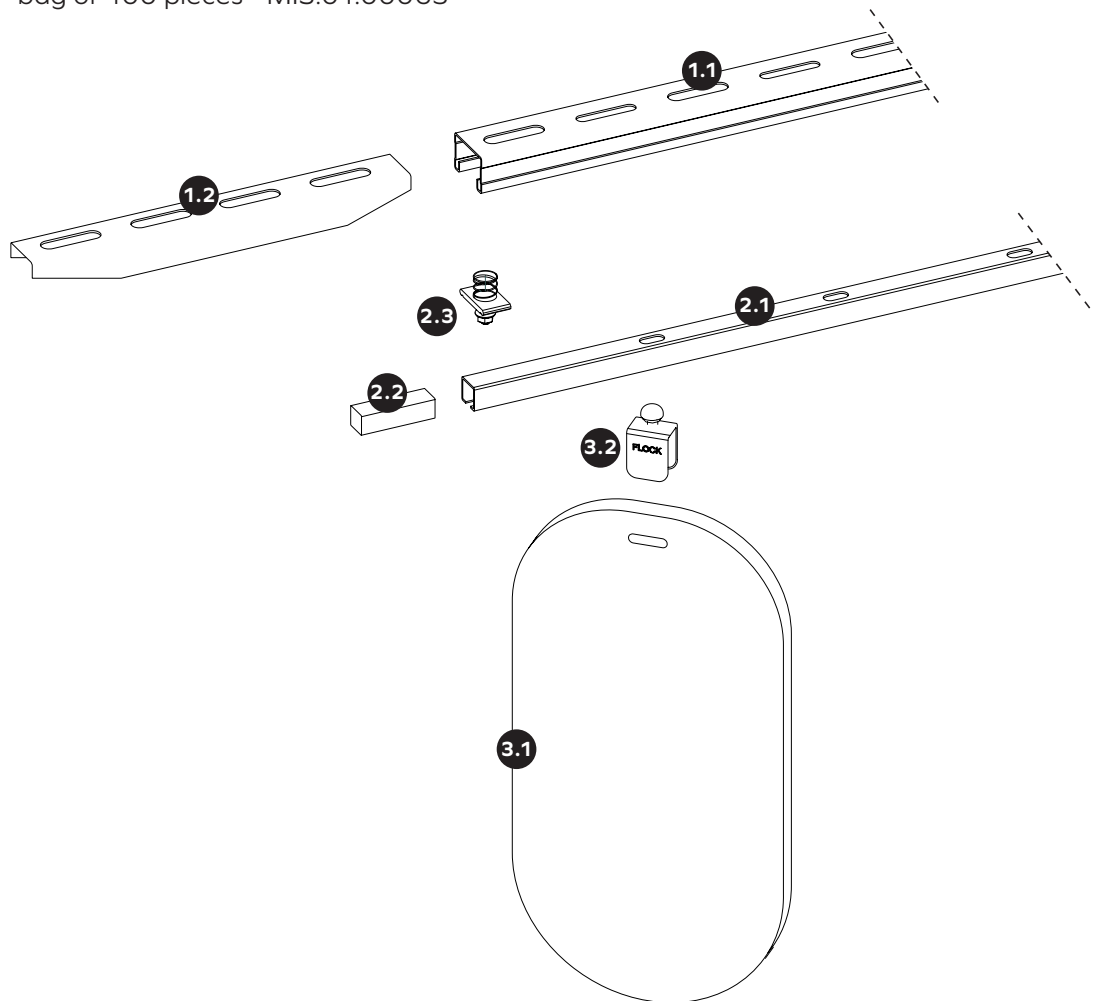
# FLOCK Bespoke Ceiling System

## Product Overview

### 1 Verify and organize

Verify all delivered elements and organize them based on the included labeling of each part and the supplied drawings.

- 1.1 Strut Channel - 828.20.00.600.01-04
- 1.2 Strut Connector - 828.20.10.600.01
- 2.1 Flock Profile, 2400mm (94.5") Aluminium - MET.01.00066 (RAL9005) MET.01.00066.01 (RAL9016)
- 2.2 Flock Profile Connector - MET.01.00067 (RAL9005) MET.01.00067.01 (RAL9016)
- 2.3 Strut Sliding Spring Nut M4 - MET.01.00012
- 3.1 Flock Acoustic Fin - bespoke per 12mm 1220x2820 panel
- 3.2 Flock Clip - bag of 100 pieces - MIS.01.00063



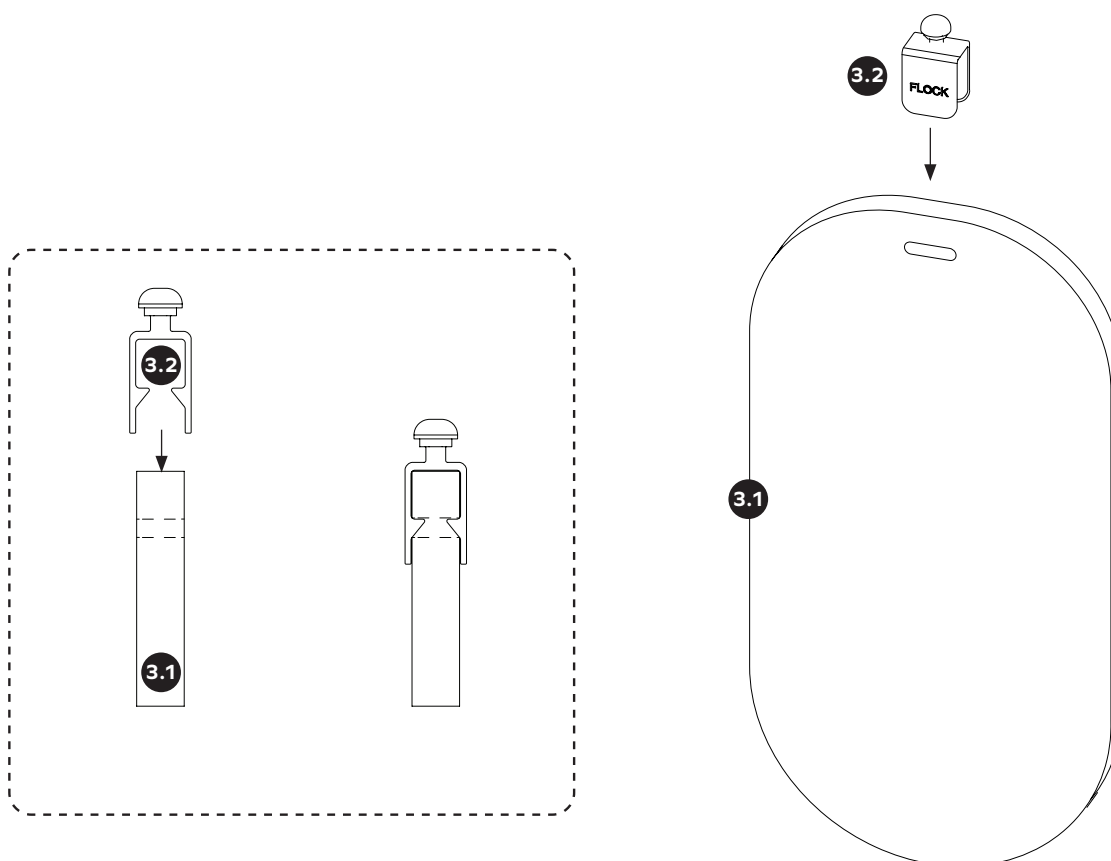
**Installation time** - please account for 25-30min/sqm (2-3min/sqft) installation time

# FLOCK Bespoke Ceiling System

## Assembly Guide

### 2 Attach Flock Clip to the Acoustic Fin.

Press fit the Flock Clip (3.2) onto the Acoustic Fin (3.1) as shown below. When properly attached, clip should ratchet into the notch on the panel.



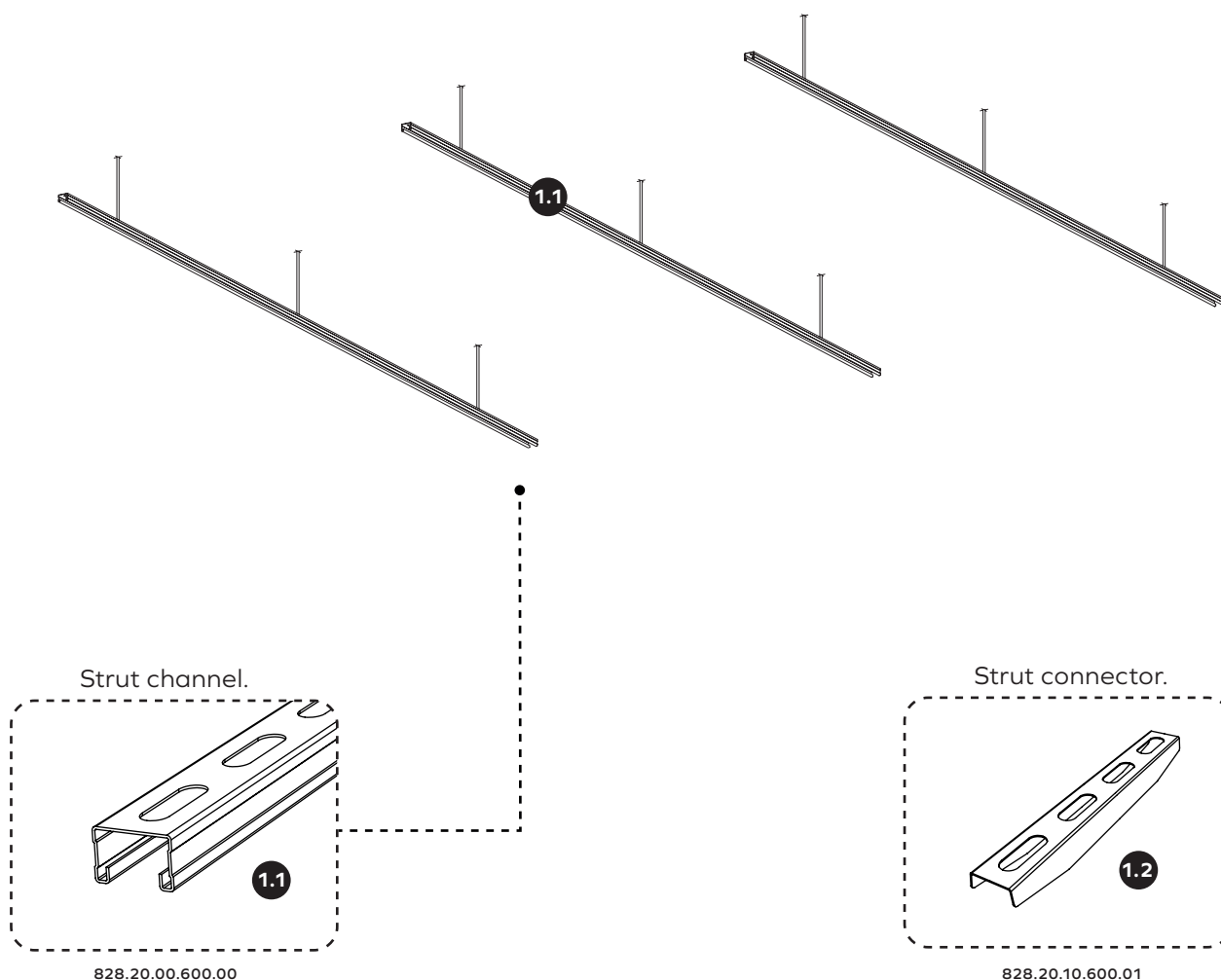
# FLOCK Bespoke Ceiling System

## Installation Guide

### 3 Install primary strut profiles

Measure and attach strut channels (1.1) to the ceiling using preferred installation hardware (not included). Threaded rods, wedge anchor or expansion pins could be used in particular cases but particular solution needs to be selected in accordance to mounting surface and composition of the ceiling. If connecting multiple strut segments in line is required, use provided strut connectors (1.2).

Particular anchoring hardware (threaded rods, bolts, etc) **is not included**.

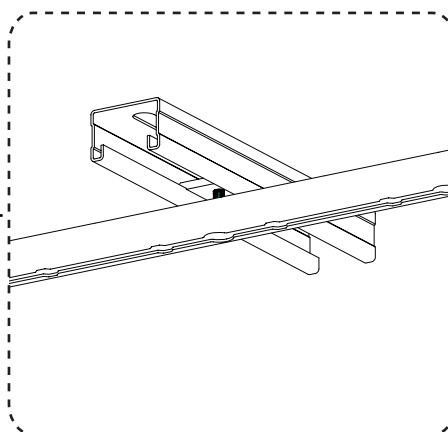
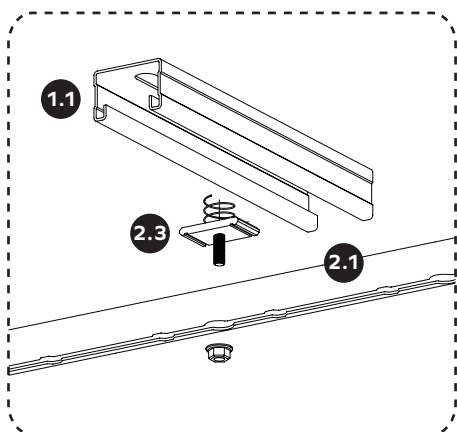
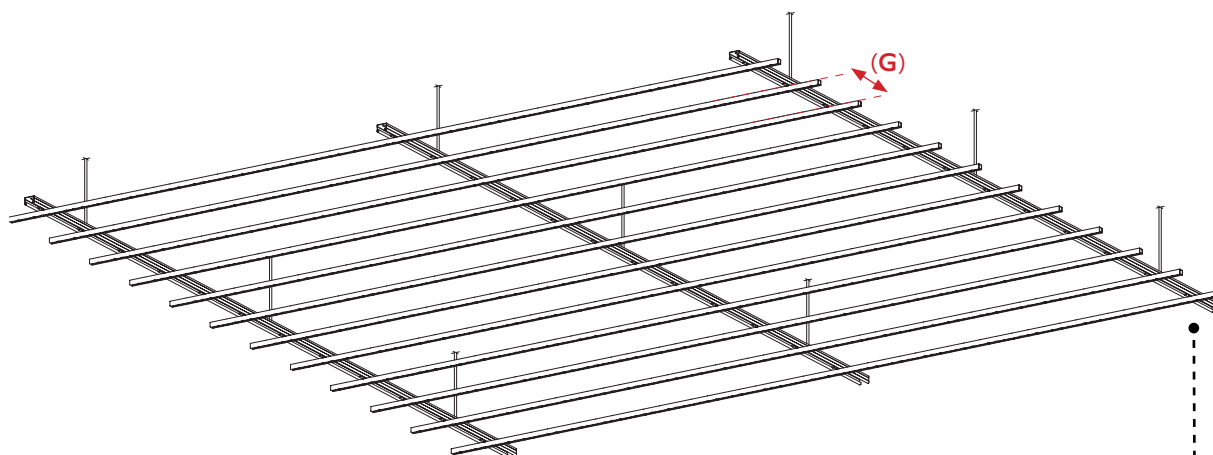


# FLOCK Bespoke Ceiling System

## Installation Guide

### 4 Install secondary Flock profile structure.

Flock profiles (2.1) can be attached perpendicularly to the previously installed Strut Channel (1.1) using the provided Strut sliding spring nuts with M4 thread (2.3). **Verify the grid spacing (G) for the profile installation with planning drawings provided by our Design Team** - standard spacing is either 150 or 200mm but different values might be used for Bespoke design.

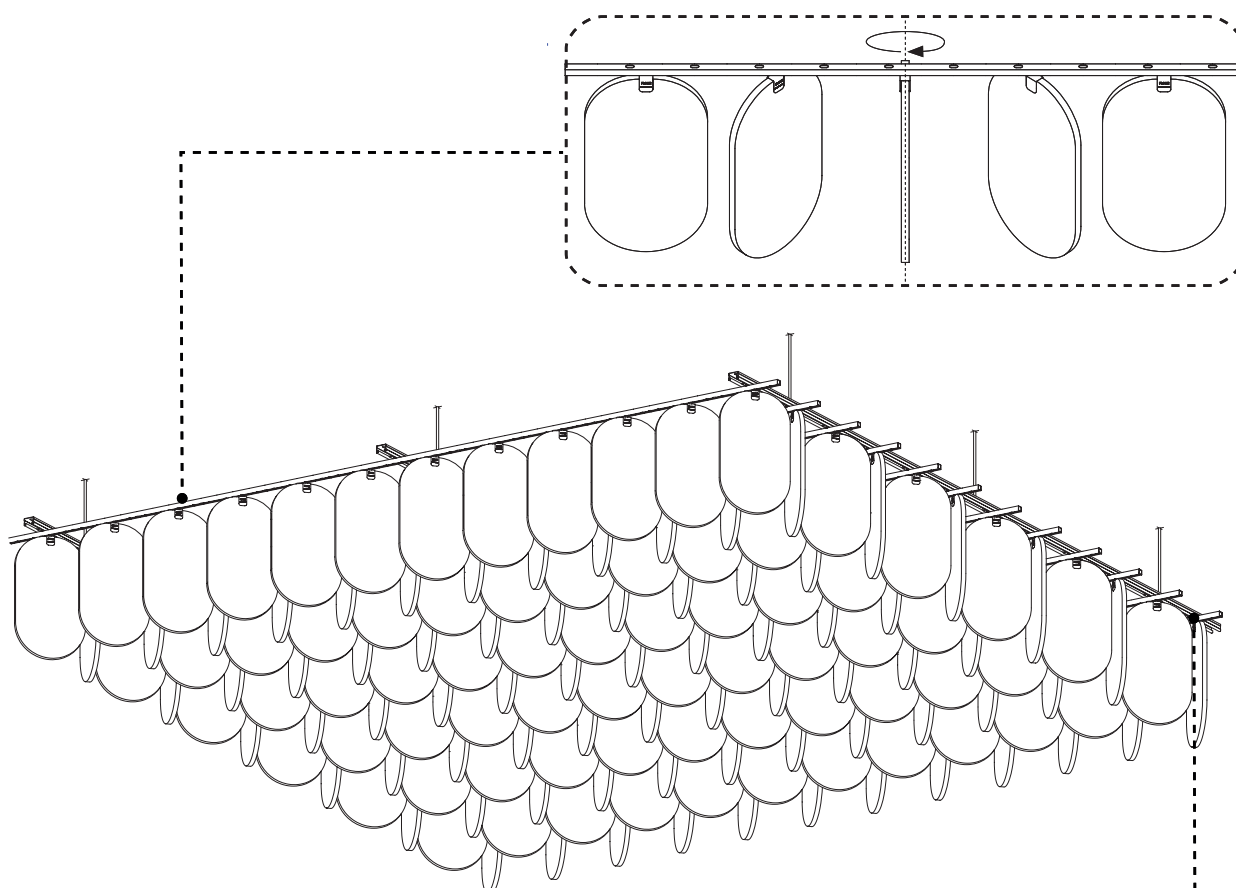


# FLOCK Bespoke Ceiling System

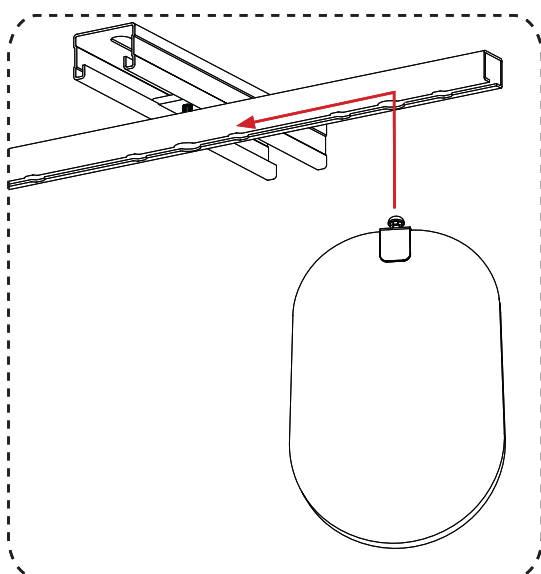
## Installation Guide

### 5 Install the Acoustic Fins

Flock Acoustic Fins with preinstalled Flock Clips (see. page 3) can be installed on the rails by sliding the clip into the rail either through the circular revision openings or from the side of the profile. Acoustic fins can be positioned with 45 degree rotation freedom when placed in octagonal slots on the profile.



### 5.1 Position the fins.



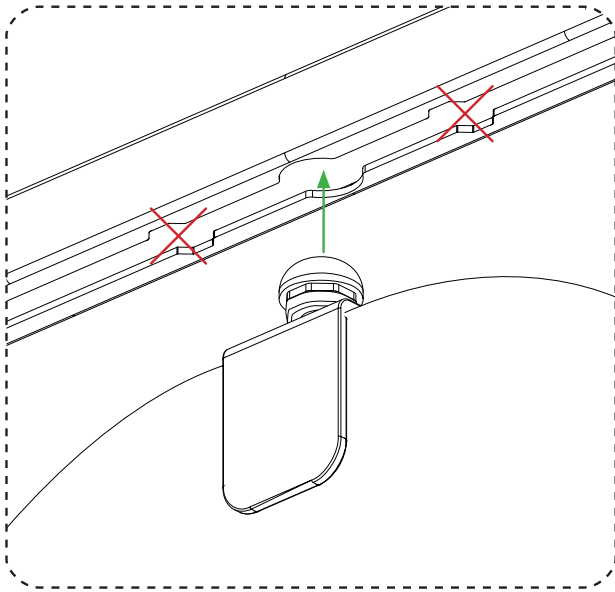
See more detail on the next page.

# FLOCK Bespoke Ceiling System

## Installation Guide

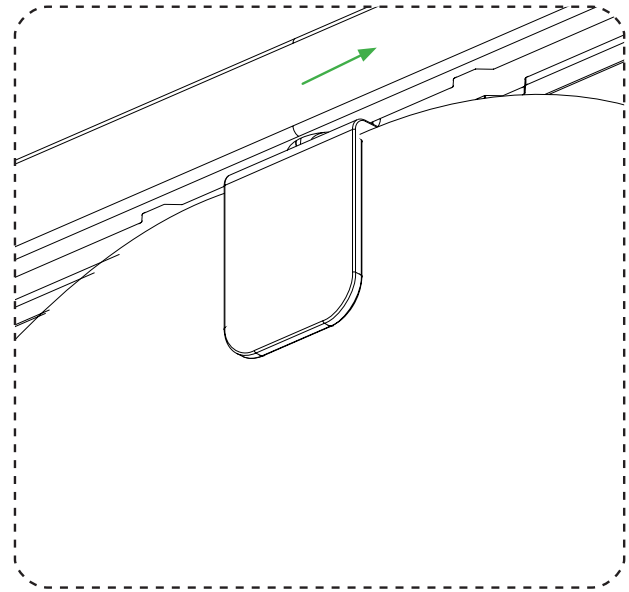
### 5.2 Insert Fin with the clip into the rail

You can insert the clip through the circular opening in the profile or through the sides of the profile.



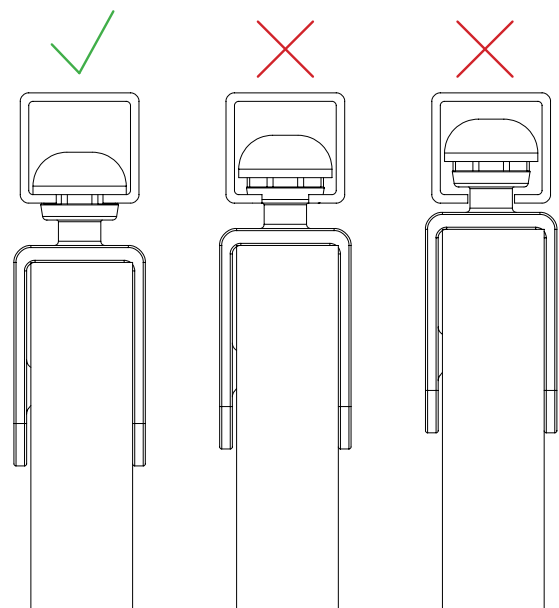
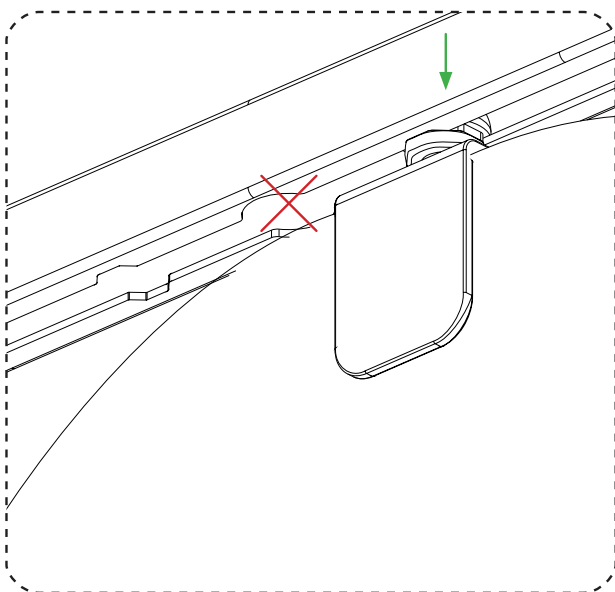
### 5.3 Move the fin into desired position.

When fully submerged, clip can be moved along the profile.



### 5.4 Lock clip into the position.

Make sure that clip is fully pushed down, locking into the octagonal slot in the profile.

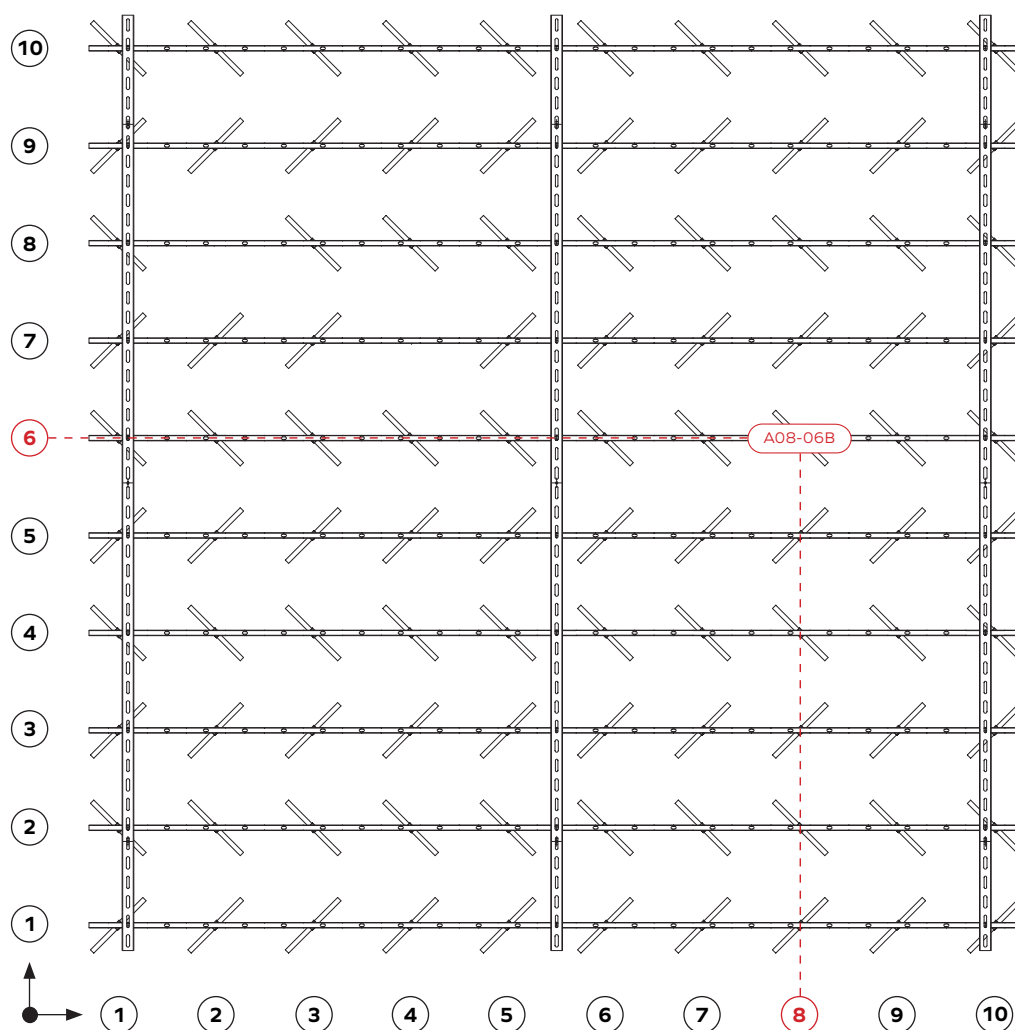
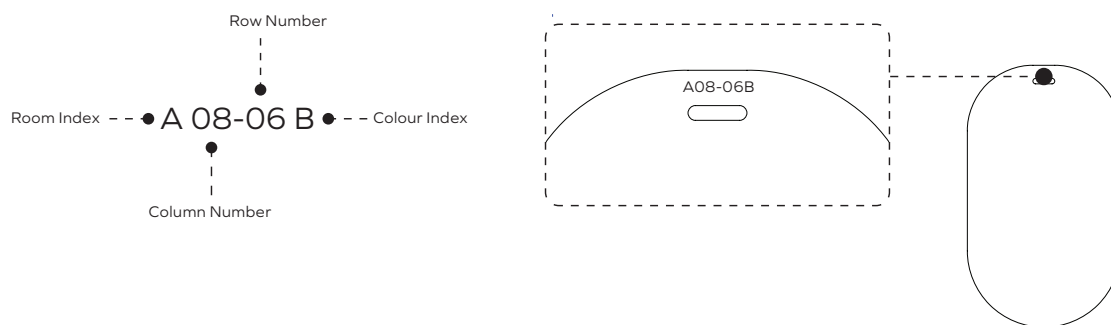


# FLOCK Bespoke Ceiling System

## Elements Numbering

### 6 Tagging Sequence

Flock Acoustic Fin elements are numbered based on the room index, column number, row number and colour index. The numbering starts in the bottom left corner of the RCP drawing. The identification tag is located on one side, center top of the Acoustic Fin (as shown in the diagram below).



# FLOCK Bespoke Ceiling System

## Additional Information

### Online Resources

A variety of resources are available online for all of our products. Please visit the product's page for more information.



CAD files



Spec sheets and  
Installation Guide



Colour families



Instruction  
videos



Associated  
products specs

### Ordering Process

Our experienced team of Project Consultants will guide and support you throughout the order process. We fulfill the majority of our orders in as little as 21 days<sup>1</sup> from your first point of contact, allowing you to focus on what truly matters to you.



Contact our  
consultant

Quote<sup>1</sup>

48h



Order Confirmation

Production<sup>1</sup>

14-21 days



Dispatch

Transit

location based



Delivery

### Contact Us

Ready to make an impact? We are just an email or call away to discuss your project and answer any question.



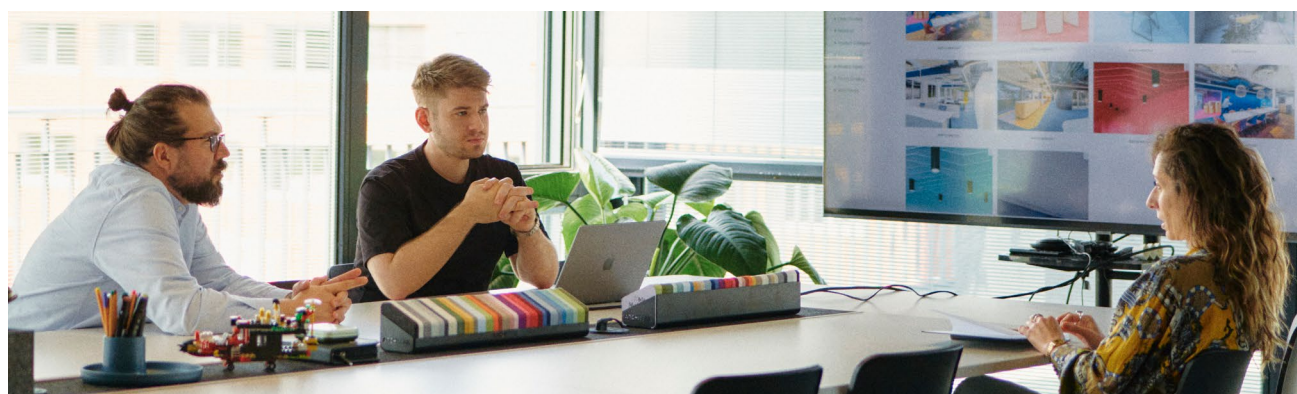
+41 41 244 14 00



connect@impactacoustic.com



Online form



<sup>1</sup> - Quote and Production times may vary.

**#We  
Make An  
Impact**

[connect@impactacoustic.com](mailto:connect@impactacoustic.com) | [www.impactacoustic.com](http://www.impactacoustic.com)