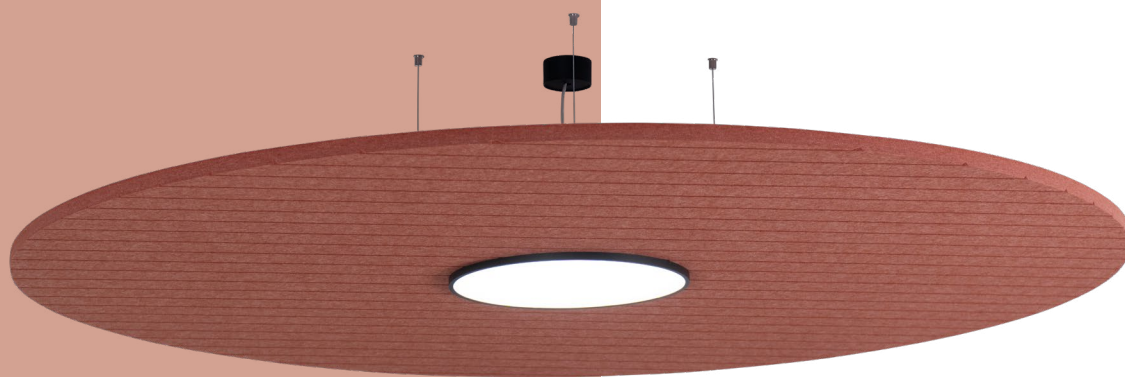


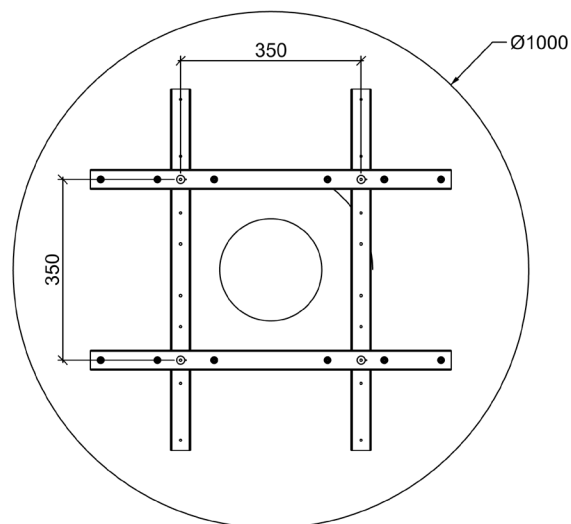
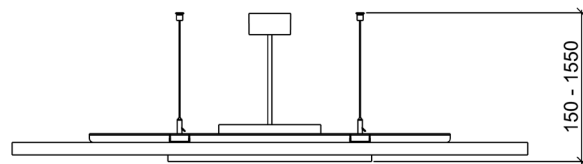
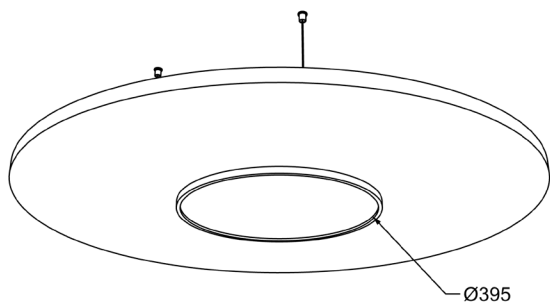
IMPACT ACOUSTIC®



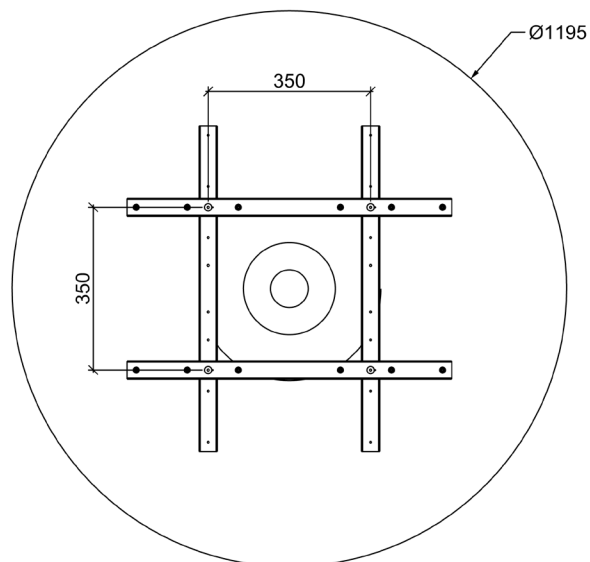
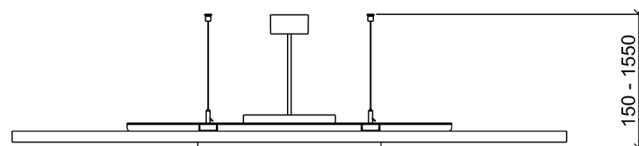
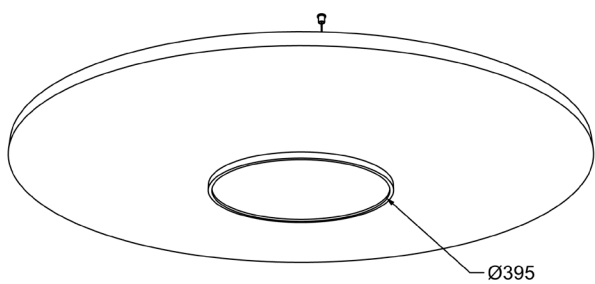
*Assembly Instructions*  
**Cire**

# Dimensional Drawing

**Circ** 726.24.20.000.00 / 726.24.20.000.60

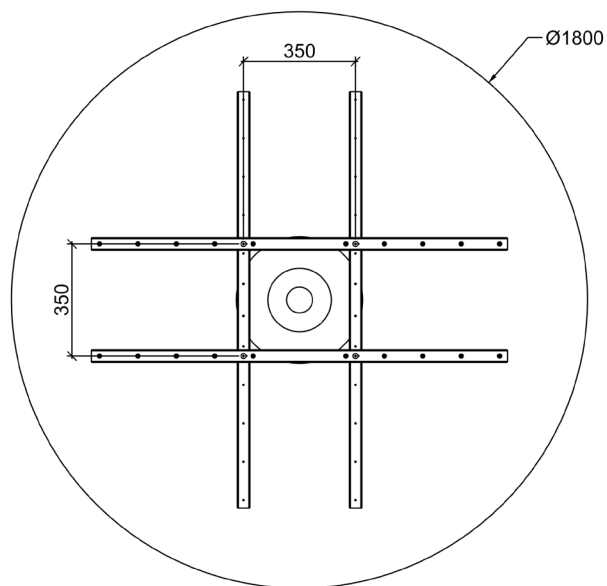
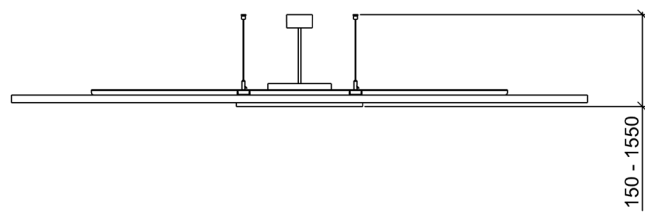
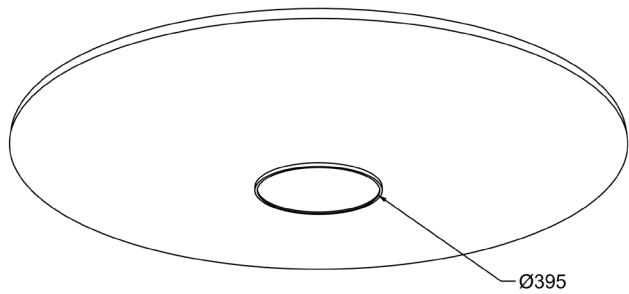


**Circ** 726.24.17.000.00 / 726.24.17.000.60



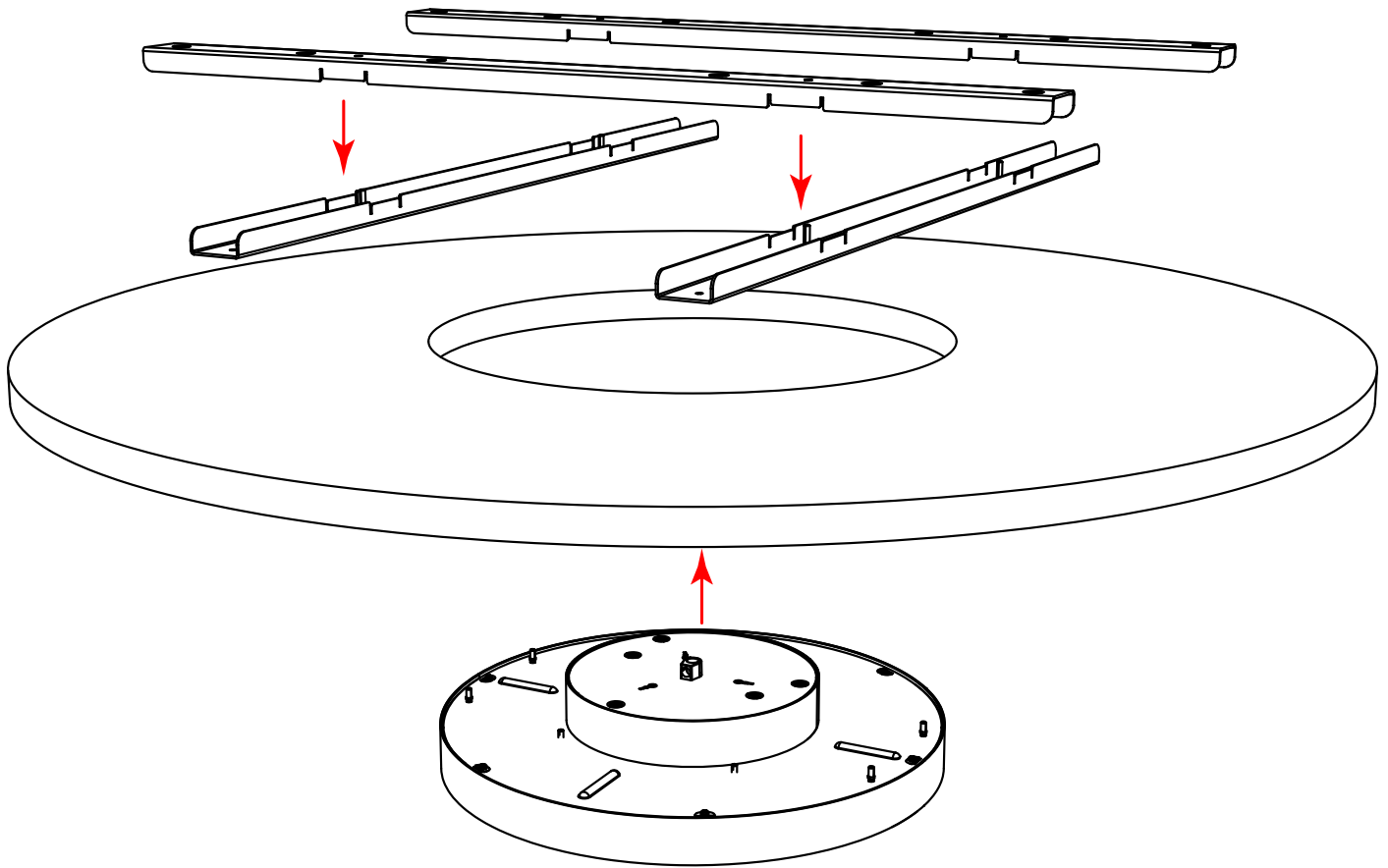
# Dimensional Drawing

**Circ** 726.24.18.000.00 / 726.24.18.000.60



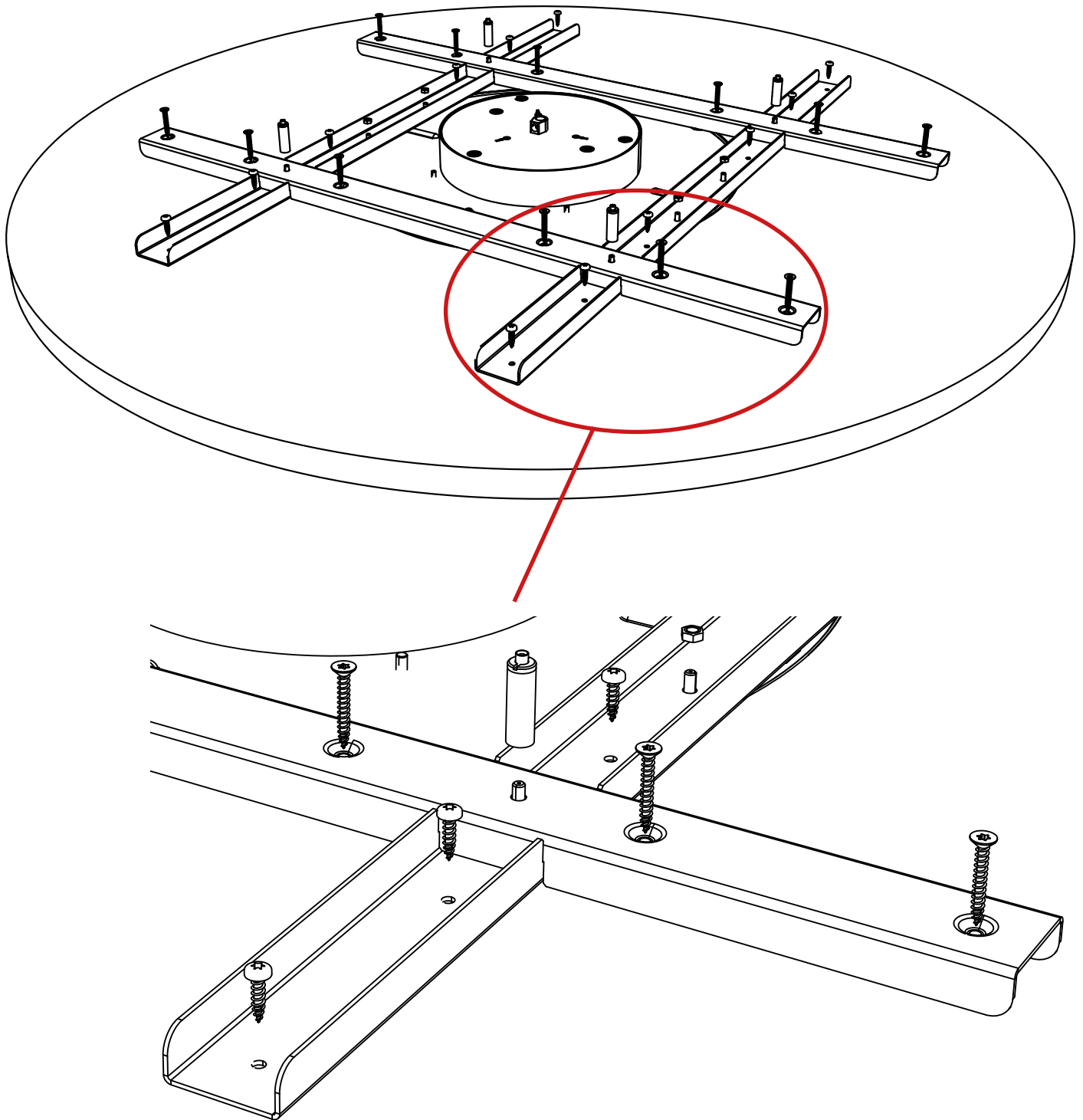
# Step 1

Put the reinforcing profiles together and insert the luminaire.



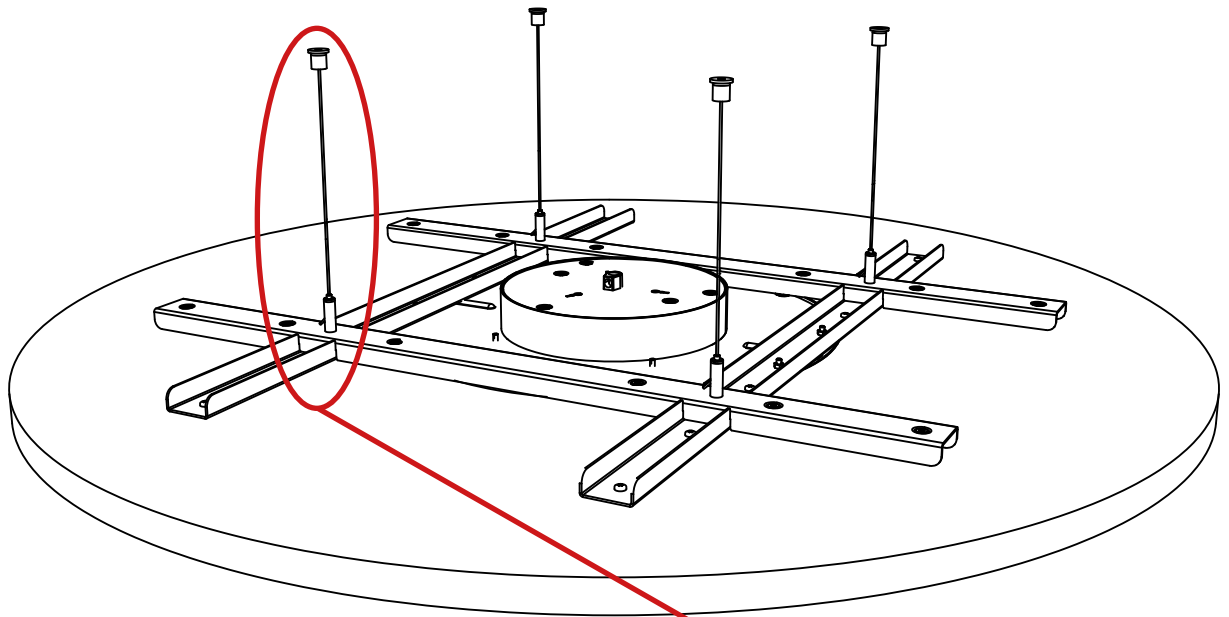
## Step 2

Screw the four grippers to the profiles. Fix the luminaire body to the panel with the safety nuts. Fix the two profiles with the countersinks using the countersunk screws. Screw the other profiles with the short panhead screws. Make sure that the screws which are screwed into the panel are only slightly tightened.

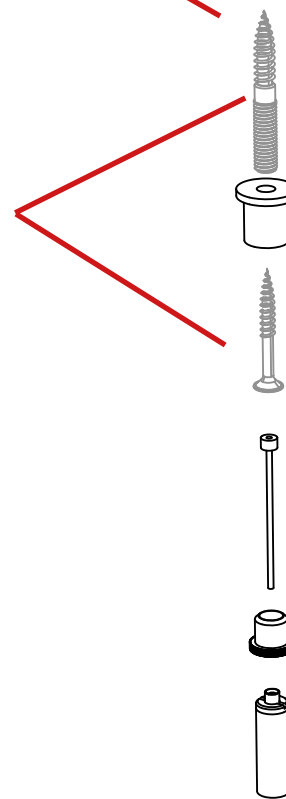


# Step 3

Mount the four suspensions to the ceiling, the positions are shown at the beginning of this document.

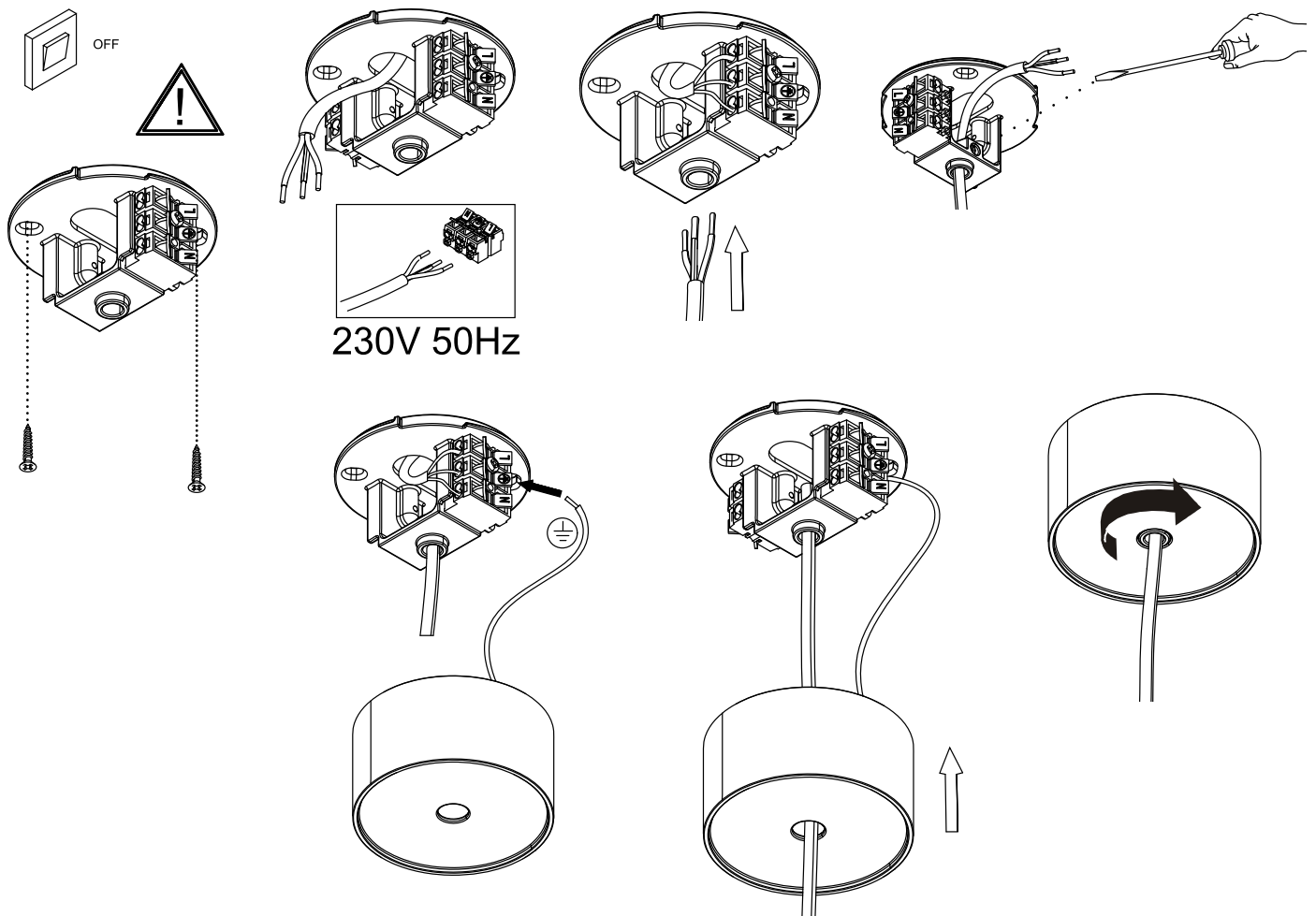
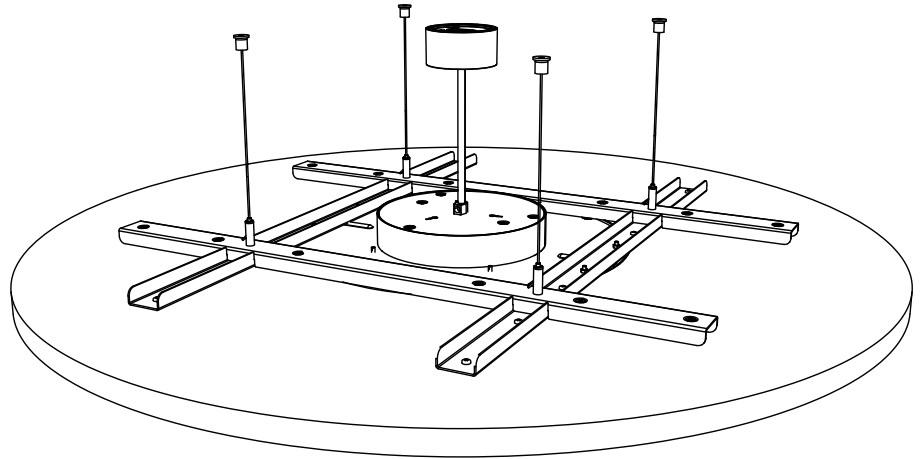


The screws for ceiling mounting are not included. Either a M6 set screw, a M6 hanger bolt or a wood screw with a maximum diameter of 5mm can be used



# Step 4

Assemble the canopy and hang the luminaire as shown below.



- Installation and commissioning only through authorised qualified personnel.
- Modifications or overhauling to luminaires or lighting components only with the written consent of PROLICHT.
- The light source contained in this luminaire shall only be replaced by the manufacturer or his agent or a similarly qualified person.
- Turn off power before working.
- Power connection only through the build-in resp. enclosed clamps.
- Luminaires and illuminants may not be disposed of as household waste. They have to be submitted to the default local recycling process.
- It is very important to use the gloves provided while mounting the light fixture.
- Luminaires of protection class 3 may only be supplied with converters with SELV output  $\leq 60\text{VDC}$