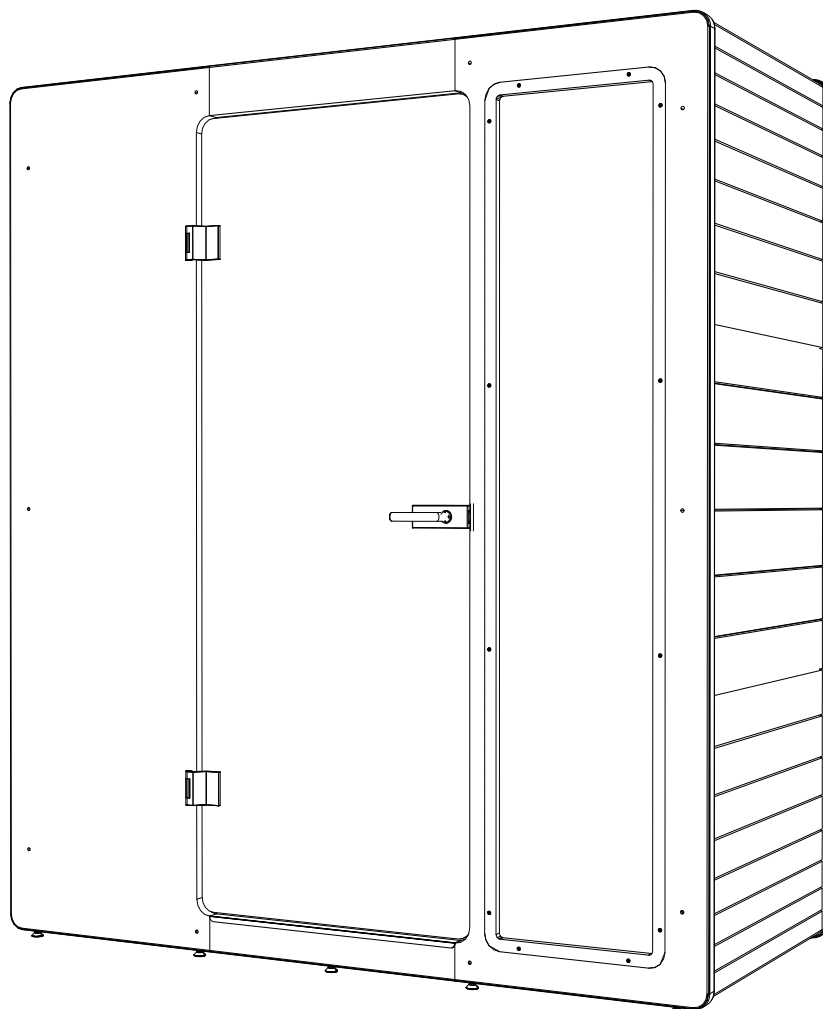


IMPACT ACOUSTIC®



350

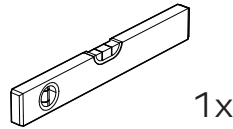
Chatpod

ASSEMBLY INSTRUCTIONS

350

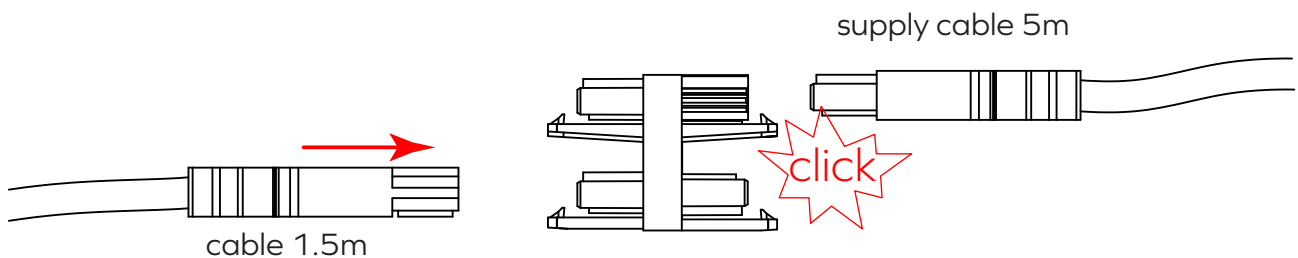
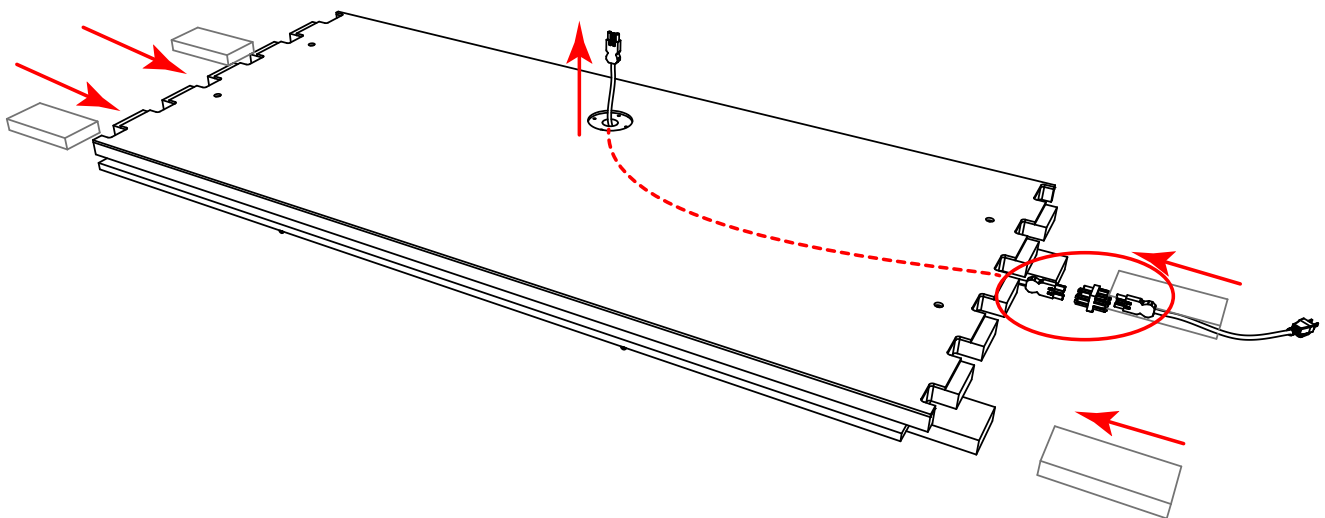
Chatpod

Is required in addition to the scope of delivery:



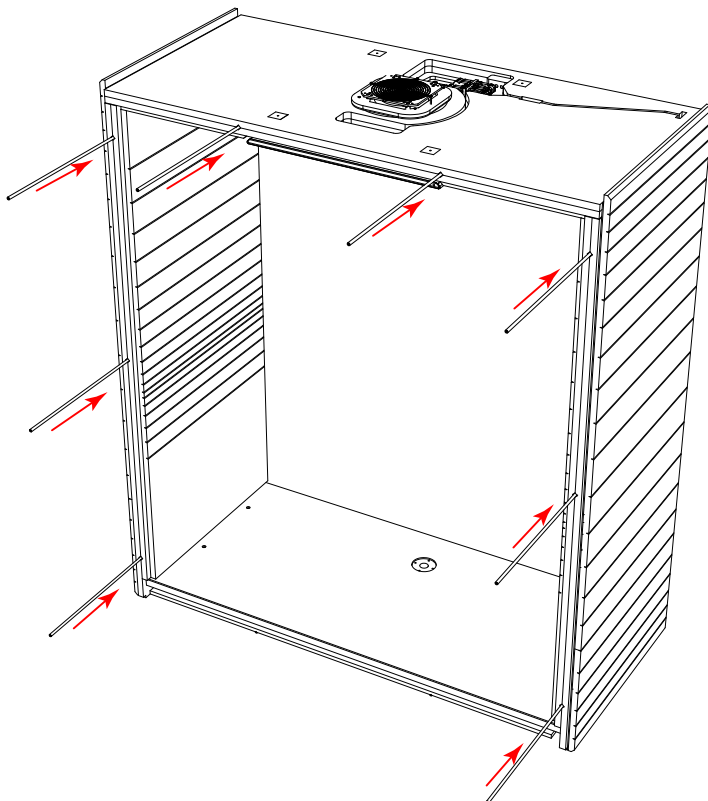
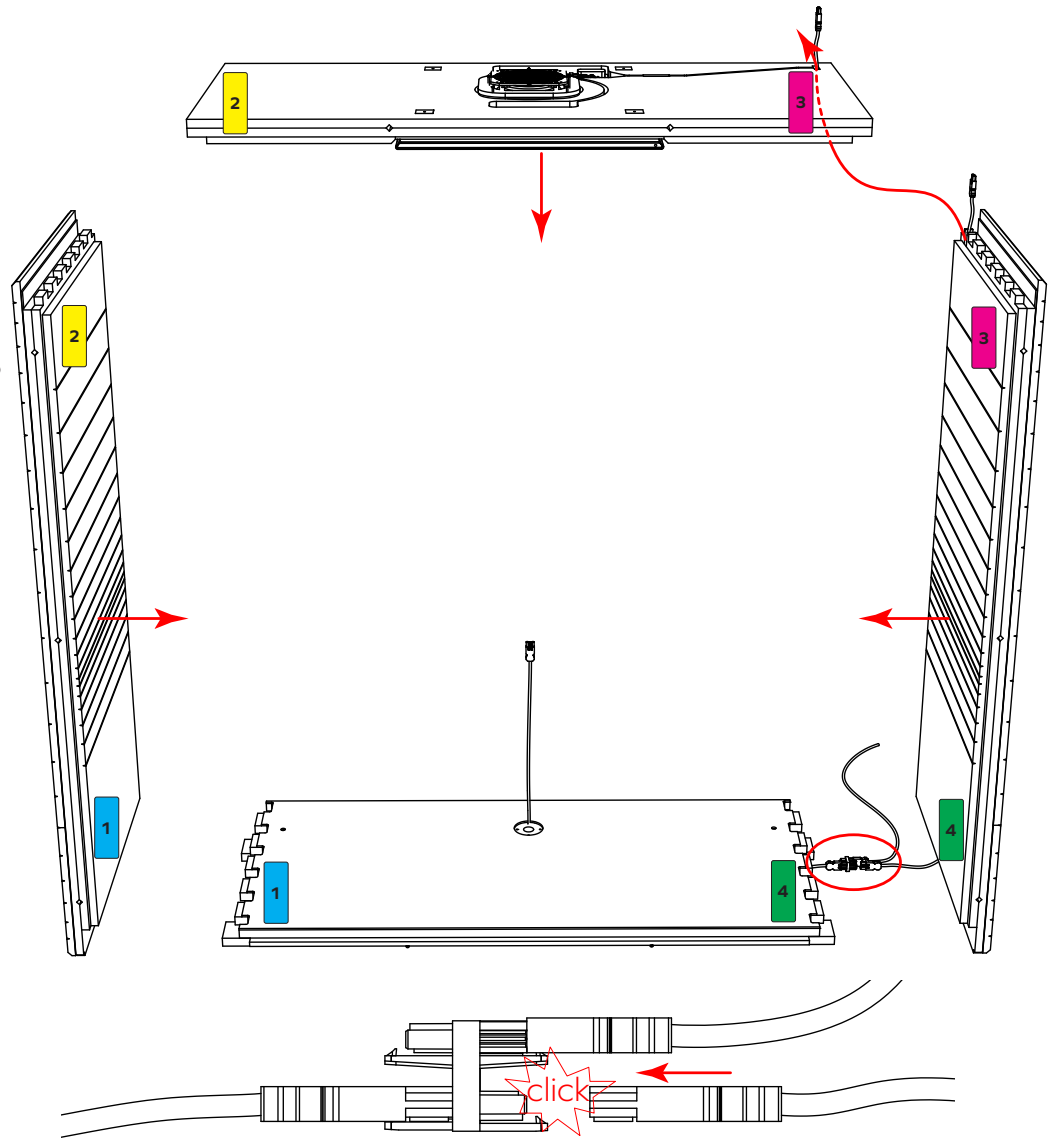
1

Place the honeycomb cardboard blocks under the cardboard supports of the base. Make sure that the bottom sits stably on the blocks and that the blocks protrude a few centimeter to the sides. Insert the supply cable and the 1.5m cable into the H-distributor until they click into place. Insert the supply cable and the 2m cable into the H-distributor until they click into place.



2

Insert the cable of the right side into the H-distributor. Place the two sides on the honeycomb blocks and tuck them into the bottom. This should go easily, if not, make sure the sides and bottom are aligned. Hold the sides until the top is assembled. Pin the top together with the sides, pull the cable through the top from the right side.

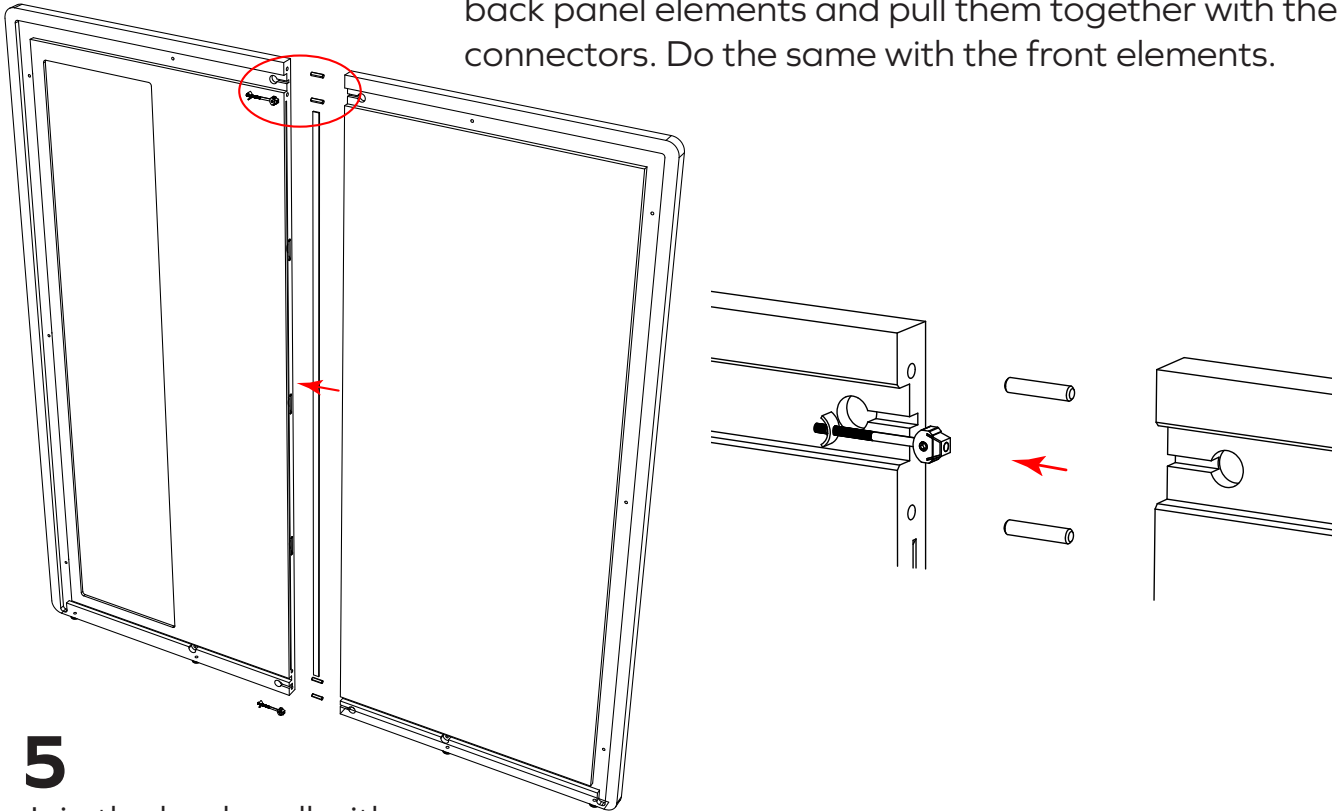


3

Insert the eight connecting rods.

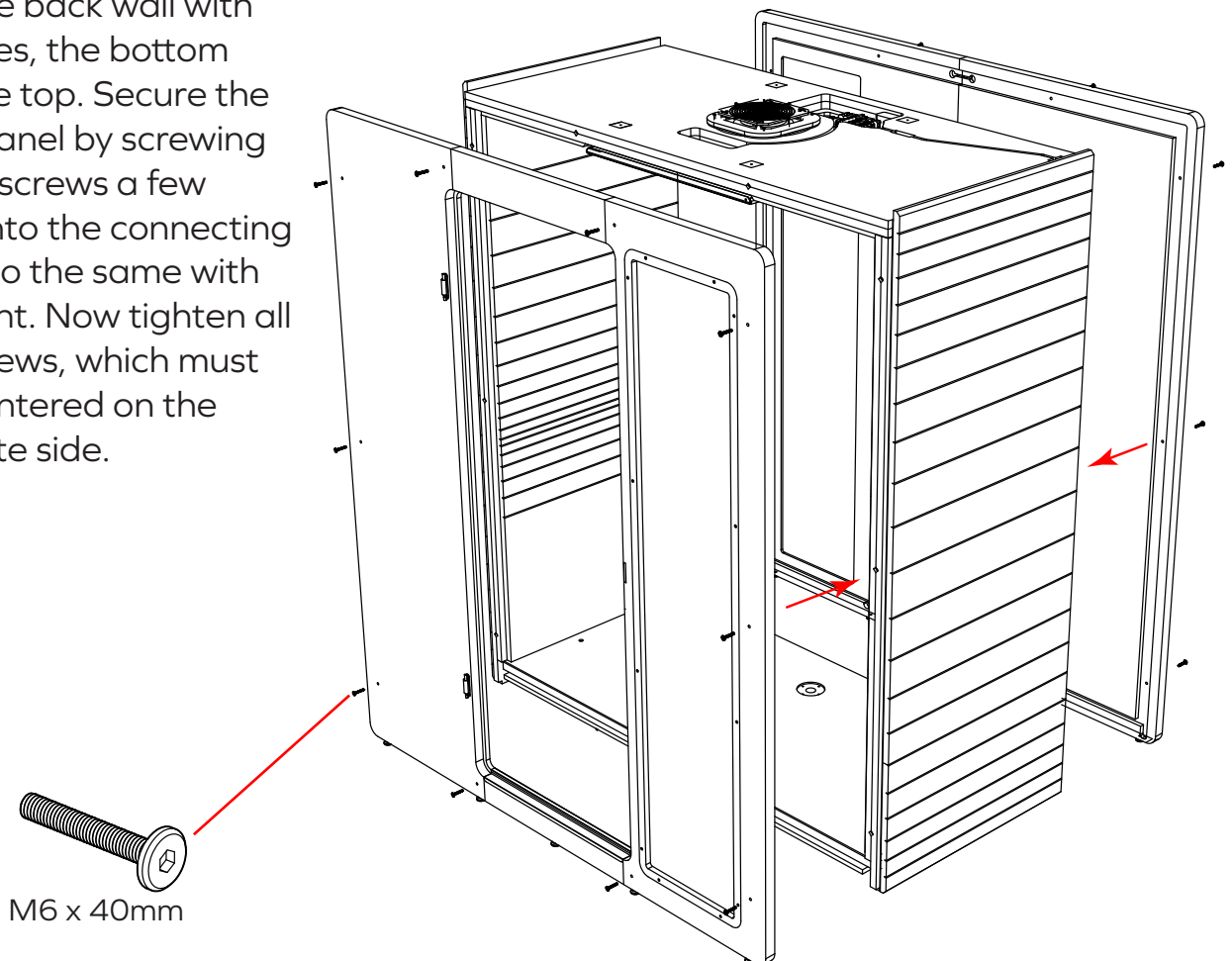
4

Insert the wooden dowels into the holes. Join the two back panel elements and pull them together with the connectors. Do the same with the front elements.



5

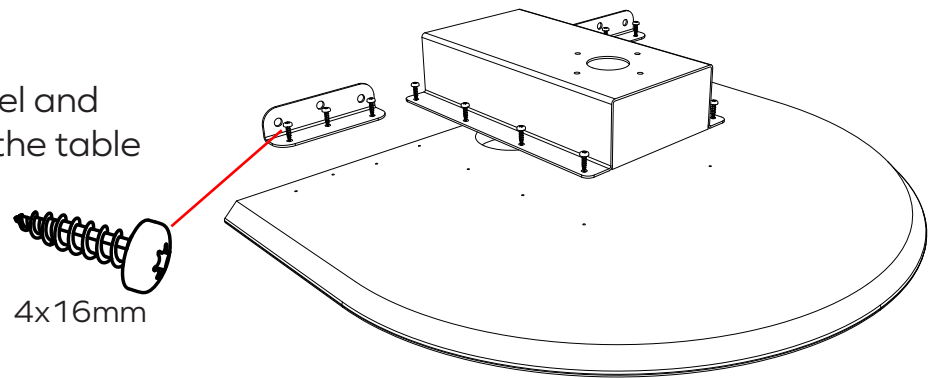
Join the back wall with the sides, the bottom and the top. Secure the back panel by screwing the six screws a few turns into the connecting rods. Do the same with the front. Now tighten all the screws, which must be countered on the opposite side.



M6 x 40mm

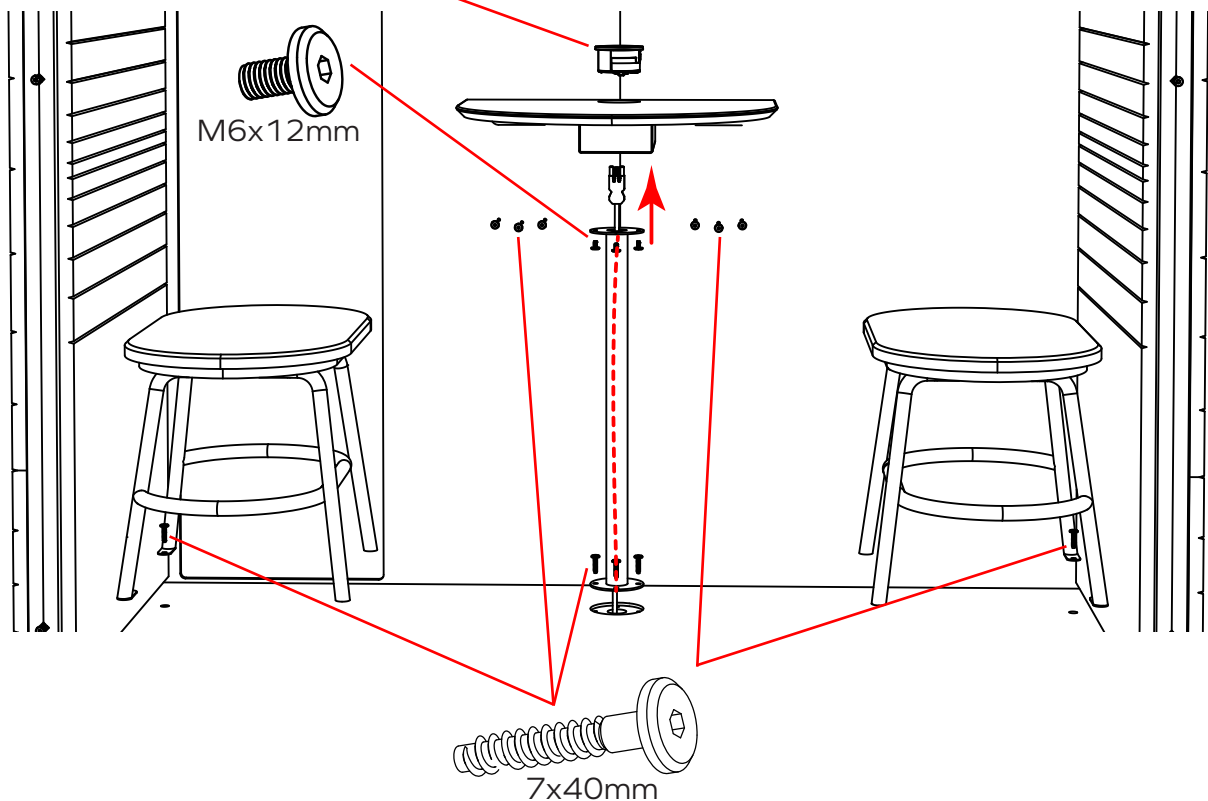
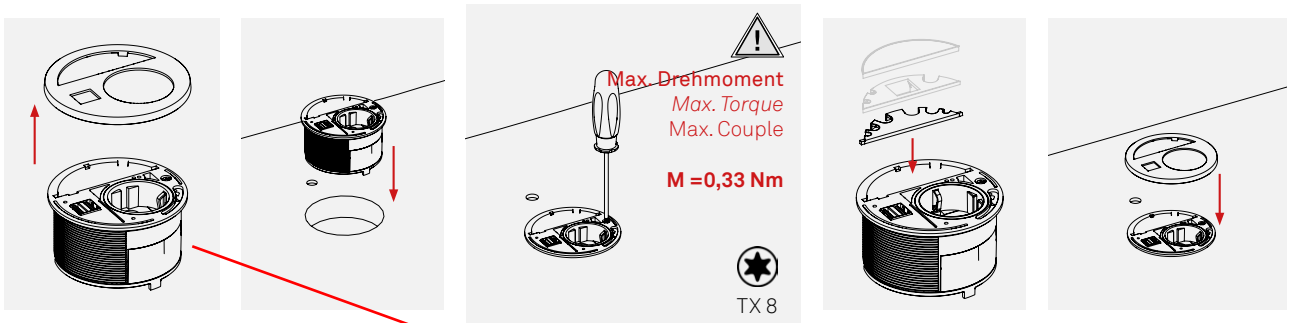
6

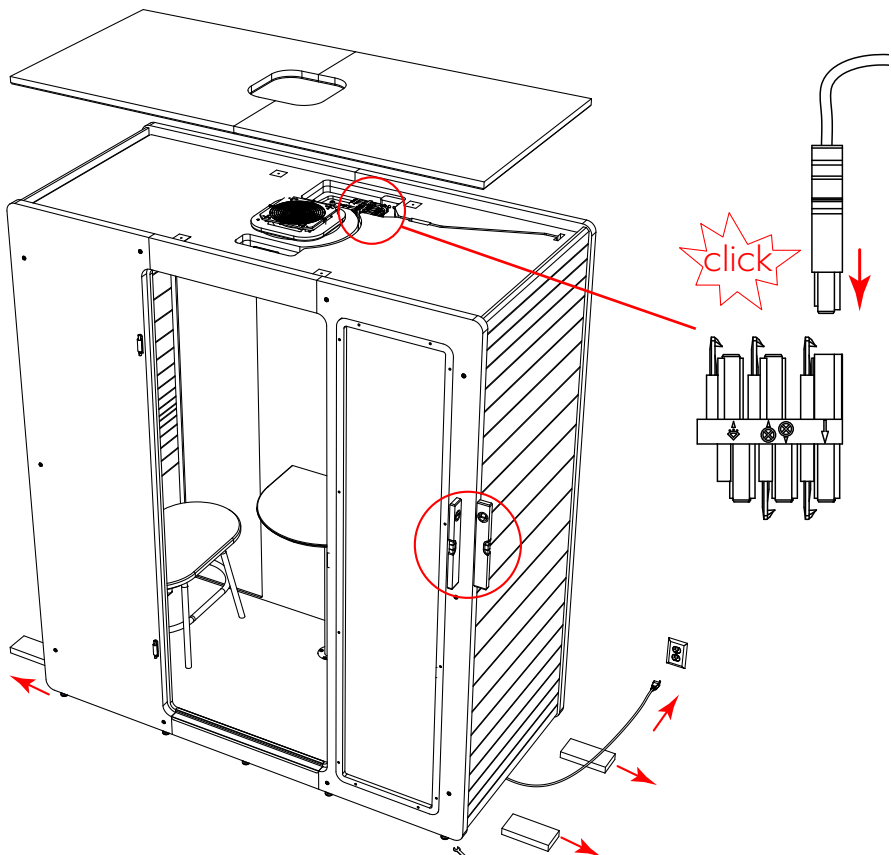
Screw the cable channel and the two brackets onto the table top.



7

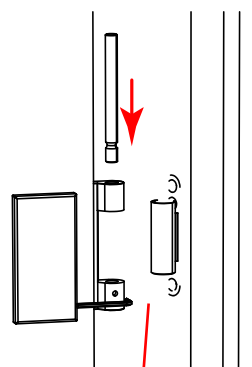
Pull the cable through the column. Fasten the column with four 7x40mm screws. Attach the table top to the table column with four M6x12mm screws. Connect the table top to the back panel with six 7x40mm screws. Screw the benches onto the floor with the 7x40mm screws. Carefully loosen the cover of the socket. Connect the socket with the supply cable. Insert the socket into the hole. Align it and tighten it. Place the insert and snap the cover back into place.





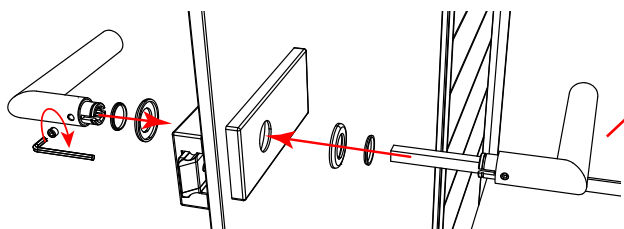
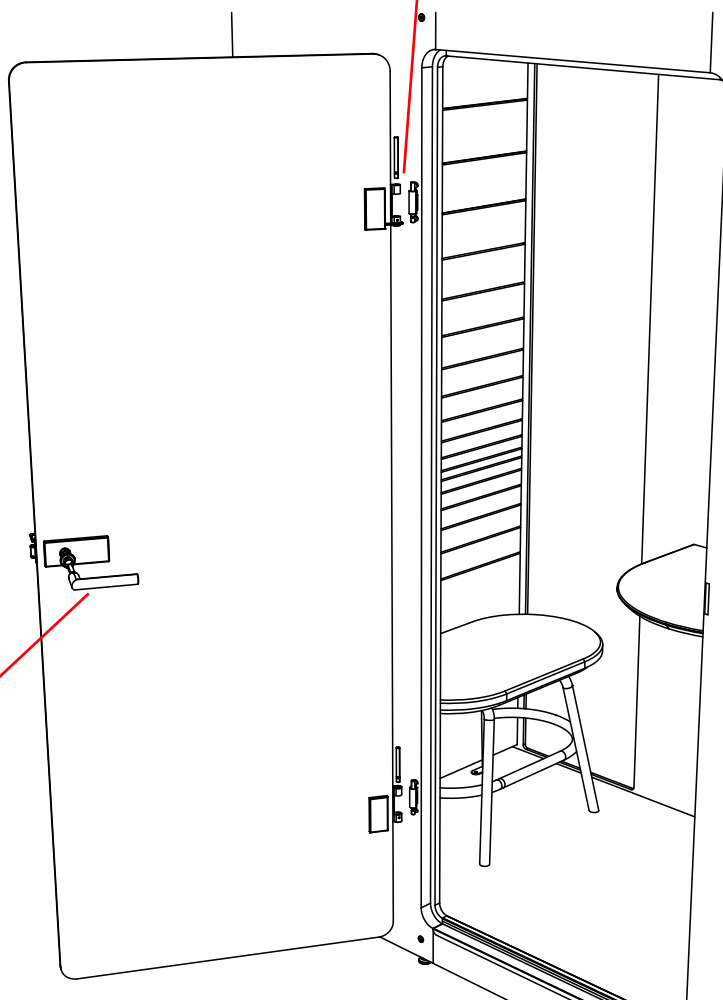
8

Remove the four honeycomb cardboard blocks. Align the chatpod using the four leveling feet. Insert the plug as shown. Place the two outer panels on the cover. Plug the power cord into the socket.



9

Mount the door and fix it with the two rods. Secure them with the set screws. Assemble the door handle in the following order: lock, metal washer, plastic washer, door handle. Press the two halves of the door handle together while tightening the stud screw with the 3 mm hex key. Make sure that the handle is mounted with the pre-mounted square pin in the inside of the chatpod.



Well done!