

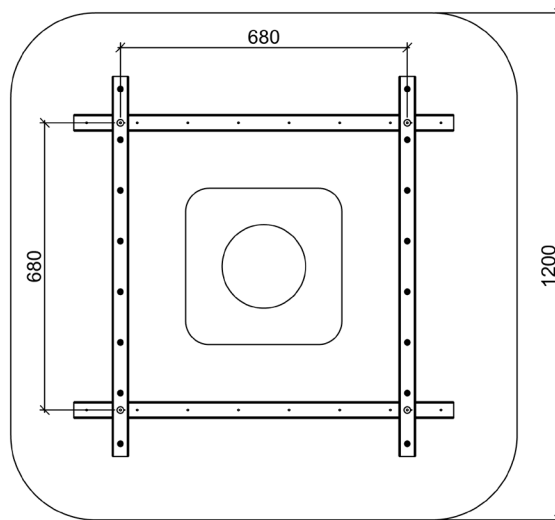
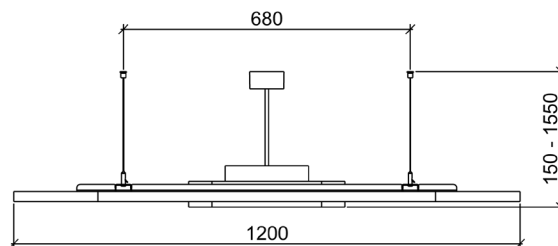
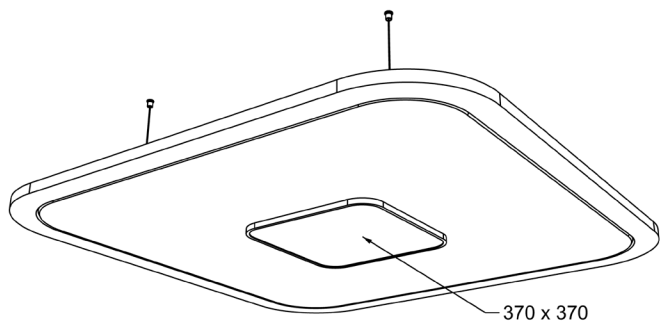
IMPACT ACOUSTIC®



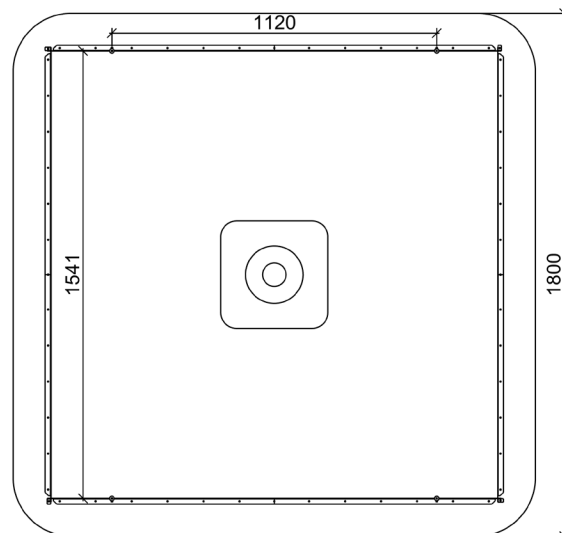
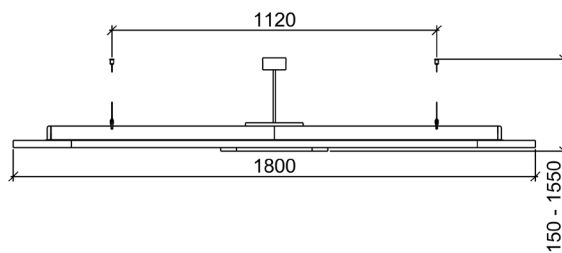
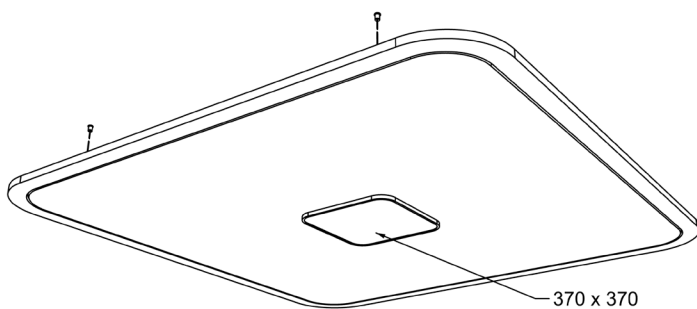
*Assembly Instructions*  
**Tetra**

# Dimensional Drawing

## **Tetra** 725.24.10.000.00

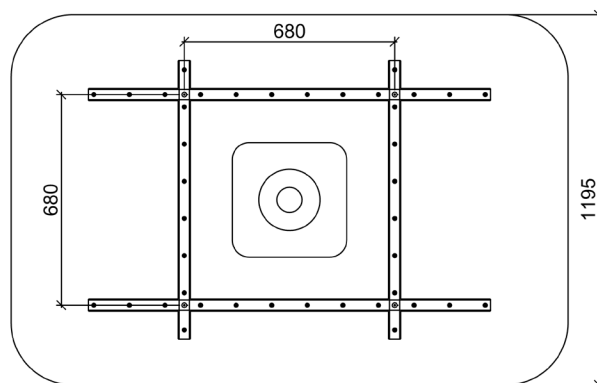
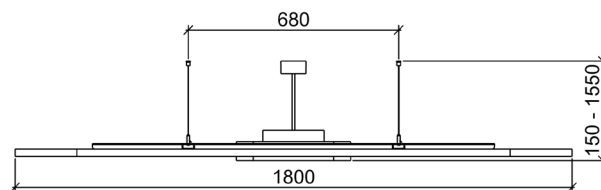
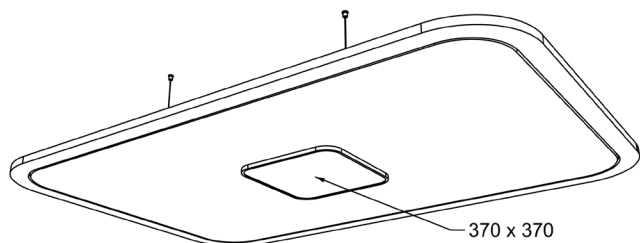


## **Tetra** 725.24.11.000.00

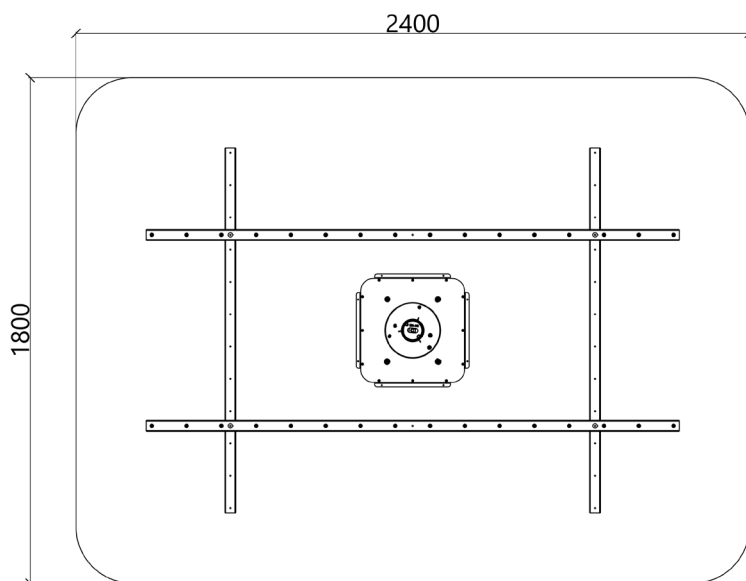
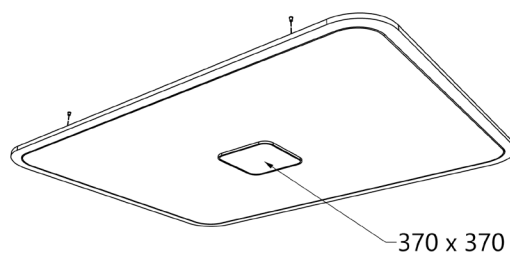
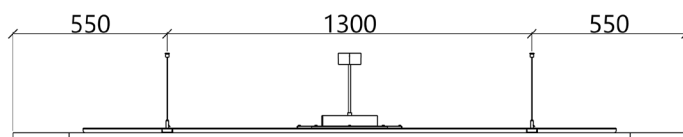
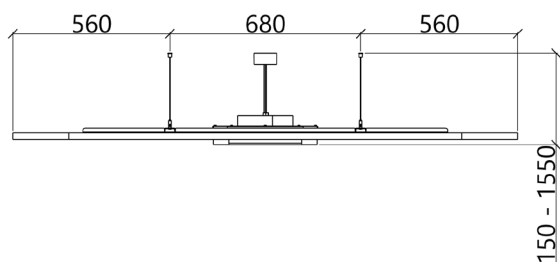


# Dimensional Drawing

## **Tetra** 725.24.14.000.00

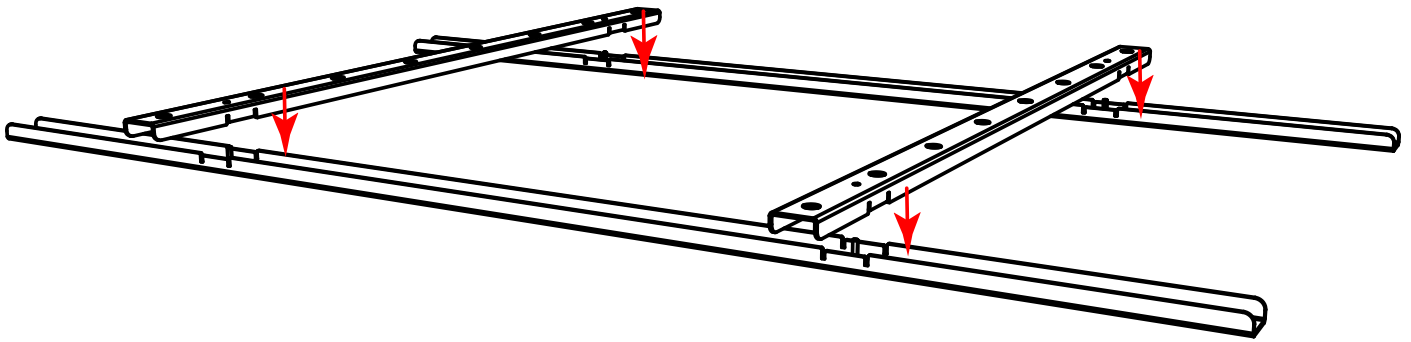


## **Tetra** 725.24.16.000.00



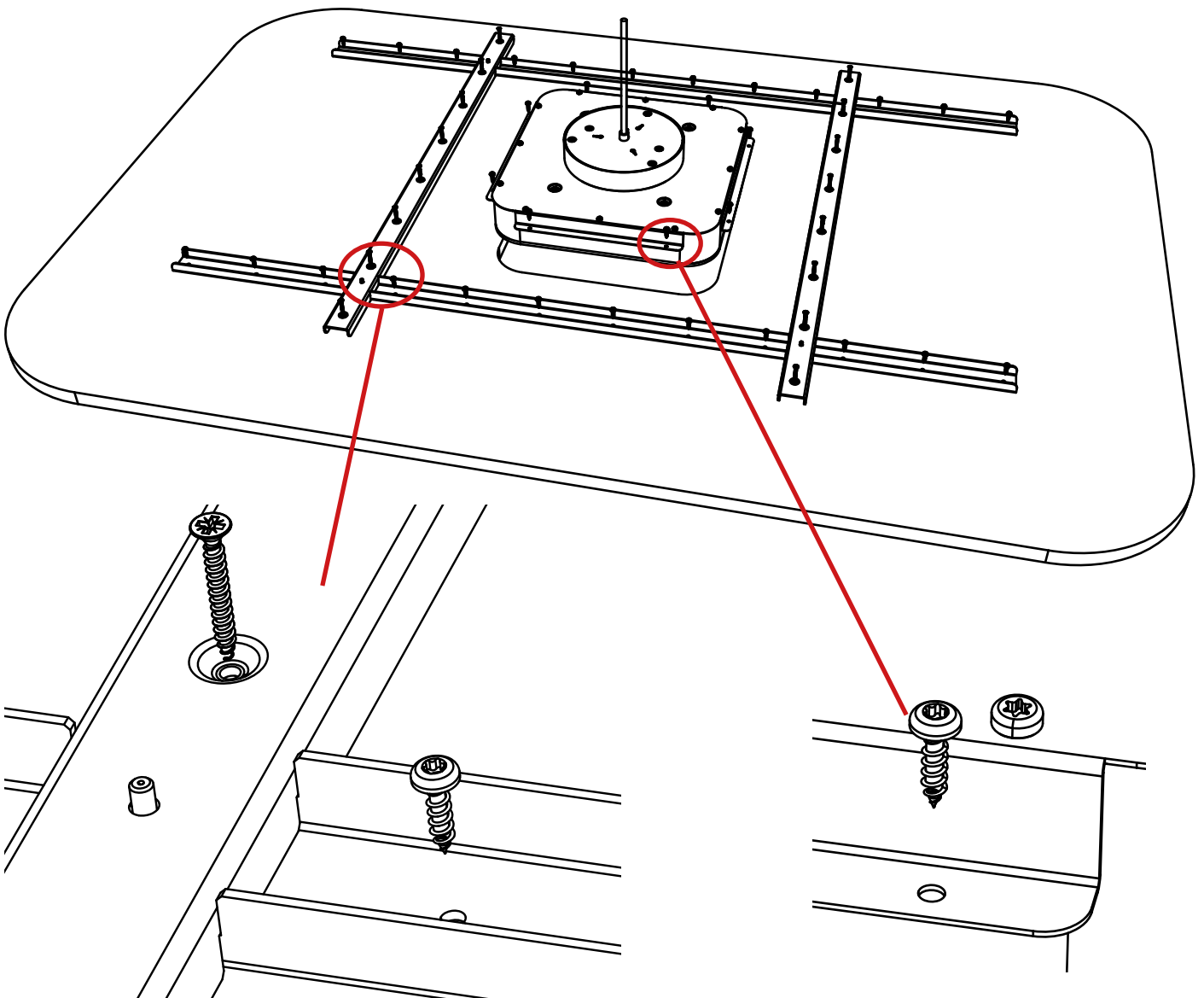
# Step 1

Assemble the reinforcement profiles as shown.



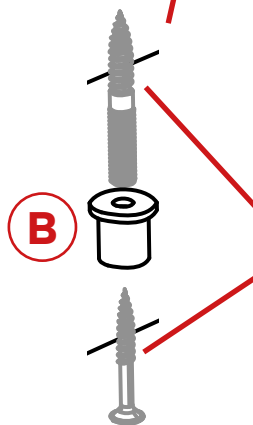
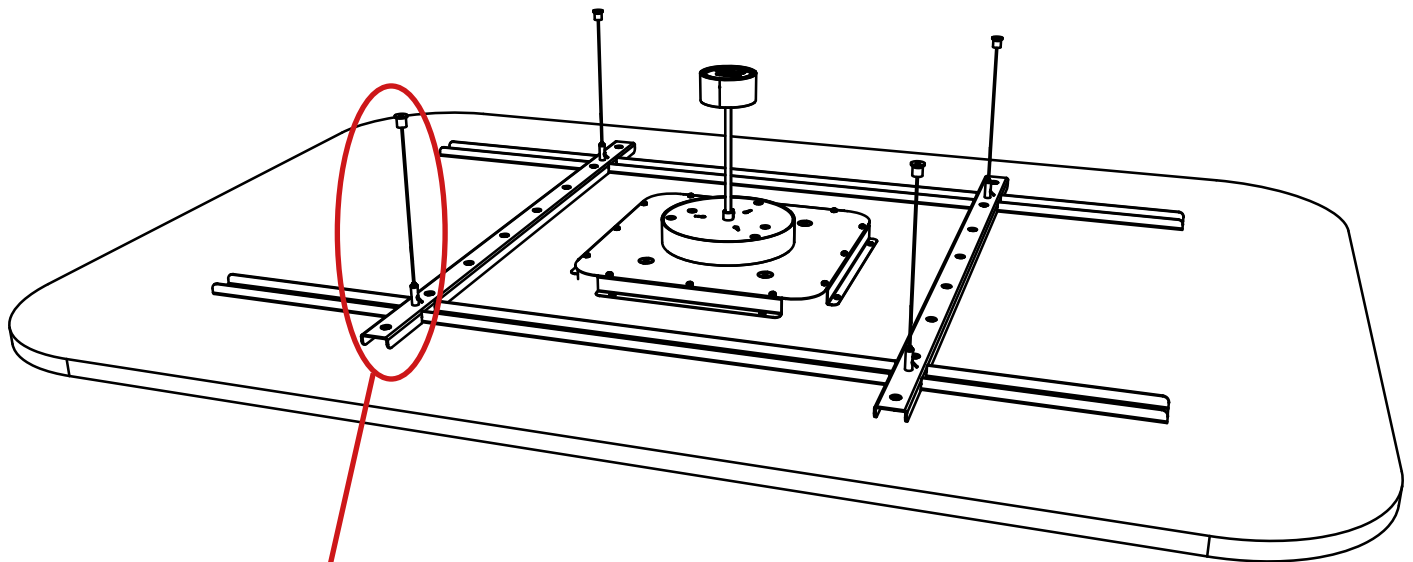
# Step 2

Center the reinforcement profiles on the panel and insert the luminaire. Then screw them in place with the screws shown below. Tighten the screws only slightly.

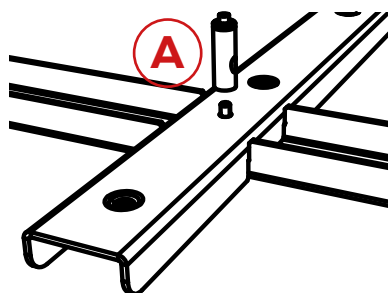
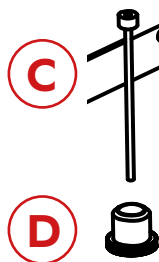


# Step 3

Screw the four grippers (A) to the threaded bolts. Mount the ceiling fittings (B) with suitable screws (not included in the scope of delivery). Pass the wire ropes (C) through the bushings (D) and screw them to the ceiling mounts. Then pull the wire rope (C) through the gripper (A) until the desired suspension height is reached. The wire rope can be shortened, but should protrude at least 30mm.

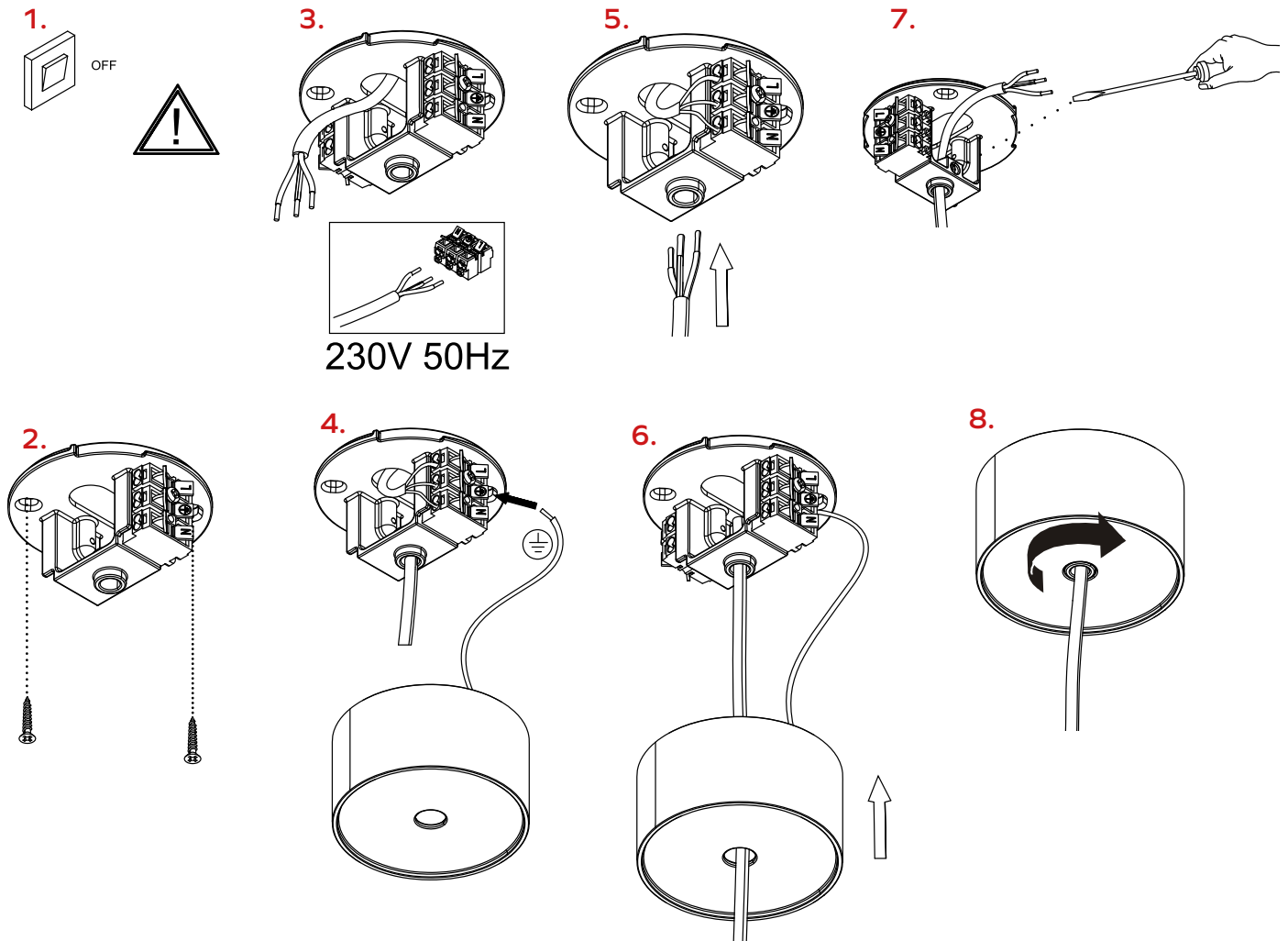


The screws for ceiling mounting are not included. Either a M6 set screw, a M6 hanger bolt or a wood screw with a maximum diameter of 5mm can be used



# Step 4

Assemble the canopy and hang the luminaire as shown below.



- Installation and commissioning only through authorised qualified personnel.
- Modifications or overhauling to luminaires or lighting components only with the written consent of PROLICHT.
- The light source contained in this luminaire shall only be replaced by the manufacturer or his agent or a similarly qualified person.
- Turn off power before working.
- Power connection only through the build-in resp. enclosed clamps.
- Luminaires and illuminants may not be disposed of as household waste. They have to be submitted to the default local recycling process.
- It is very important to use the gloves provided while mounting the light fixture.
- Luminaires of protection class 3 may only be supplied with converters with SELV output  $\leq 60VDC$